
Tubular Pattern Lever Handle On A Large Rectangular Backplate - Satin Brass (Lacquered)

Product Images

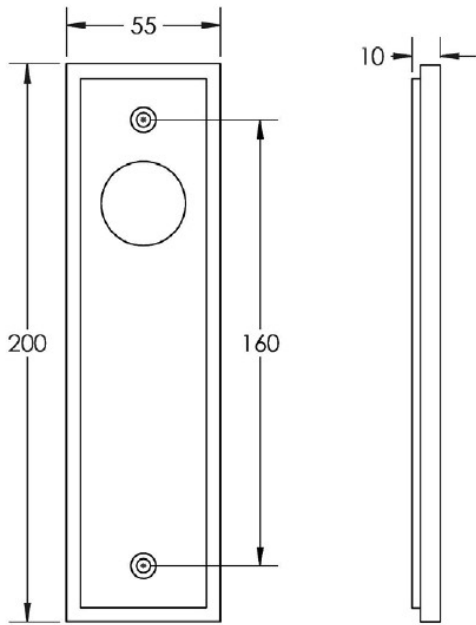




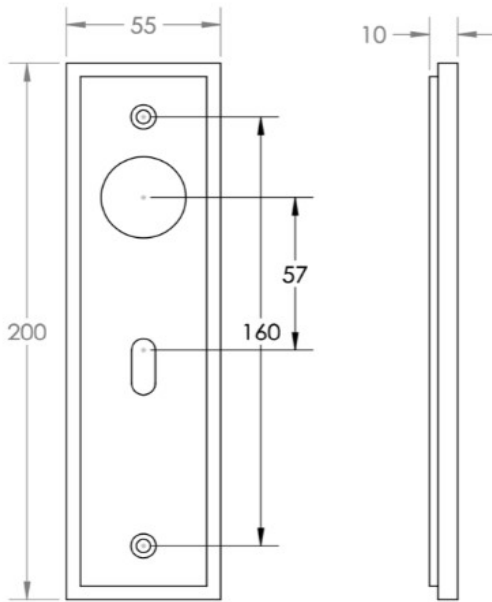
Description

- Tubular Pattern Lever Handle On A Large Rectangular Backplate
- Available in various plate designs including latch set for non locking doors, lock set for key locking doors, bathroom set that locks via a thumbturn and can be released in an emergency via a coin release on the outside handle, and a euro profile set for use with euro profile cylinders.
- The bathroom lock and euro lock plates also come in a DIN lock version for use with DIN style mortice locks.
- The handles are fixed to the door with the large backplate fitting over the handles circular rose and secured with face fixing wood screws, this is also the same for the turn and releases.

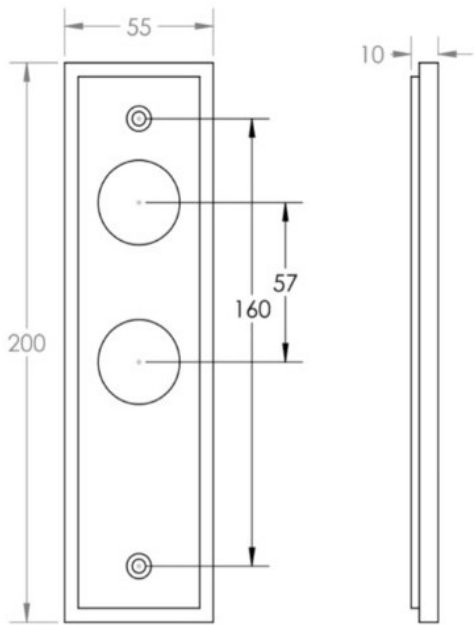
Plate Styles Available



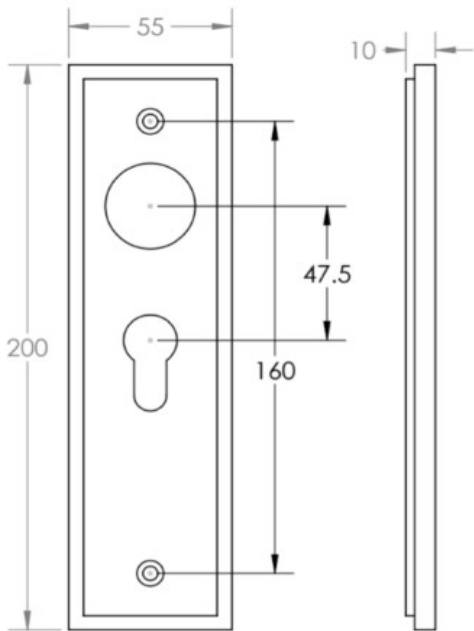
• Lever Latch Set - (Plain Plates)



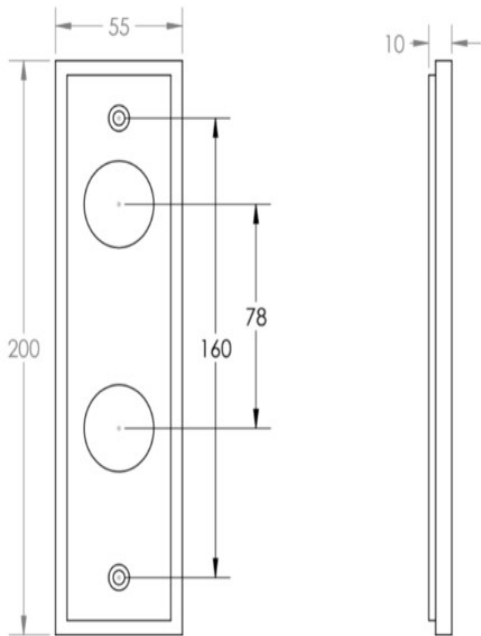
• Lever Lock Set - (Plates With Key Holes)



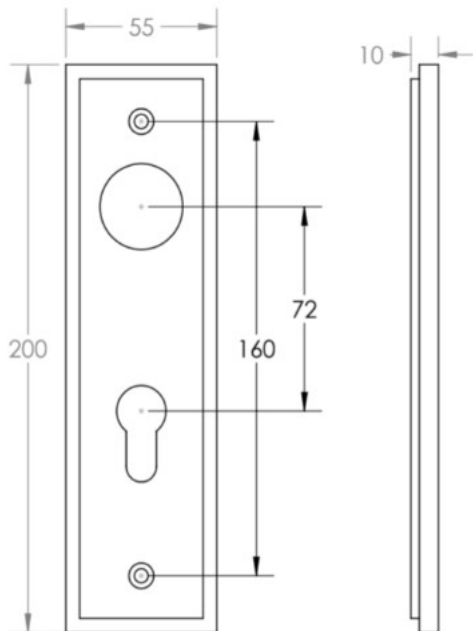
- Bathroom Lever Set - (With Turn & Emergency Release)



- Euro Profile Lever Set - (For Use With Euro Cylinders)



- DIN Bathroom Lever Set - 78mm Centres - (With Turn & Emergency Release)



- DIN Euro Profile Lever Set - 72mm Centres - (For Use With Euro Cylinders)

Finish Details

- Satin Brass

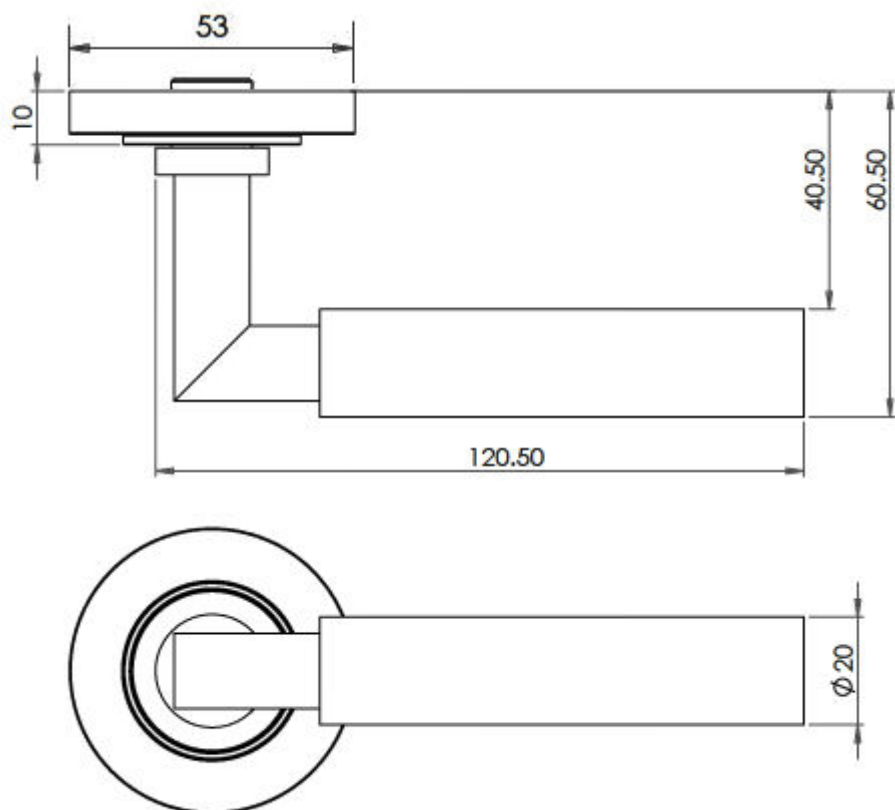
Operation

- Both levers are sprung to ensure the lever always returns to its starting position

Back Plate Size

- 200mm x 55mm

Handle Dimensions



Turn & Release Dimensions



Spindle Size

- 8mm x 8mm square - UK Standard

Fixings

- Comes supplied with matching wood screws and spindle

Usage

- Suitable for domestic or light commercial use
- Suitable for internal or external use.

Unit Of Sale

- Sold in pairs
- (One pair consists of 1x left hand and 1x right hand)

Products in this set



49581.1 - Tubular Pattern Lever Handle On A Large Rectangular Latch Backplate - Satin Brass (Lacquered) - Pair



49581.2 - Tubular Pattern Lever Handle On A Large Rectangular Standard Keyway Backplate - Satin Brass (Lacquered) - Pair



49581.3 - Tubular Pattern Lever Handle On A Large Rectangular Bathroom Lock Backplate - Satin Brass (Lacquered) - Pair



49581.4 - Tubular Pattern Lever Handle On A Large Rectangular Euro Profile Lock Backplate - Satin Brass (Lacquered) - Pair



49581.5 - Tubular Pattern Lever Handle On A Large Rectangular Din Style Euro Profile Lock Backplate - Satin Brass (Lacquered) - Pair



49581.6 - Tubular Pattern Lever Handle On A Large Rectangular Din Style Bathroom Lock Backplate - Satin Brass (Lacquered) - Pair