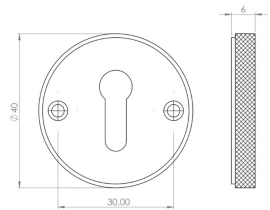


## Knurled Design Face Fixed Escutcheon - Standard Key - Satin Brass (Lacquered)

### Product Images



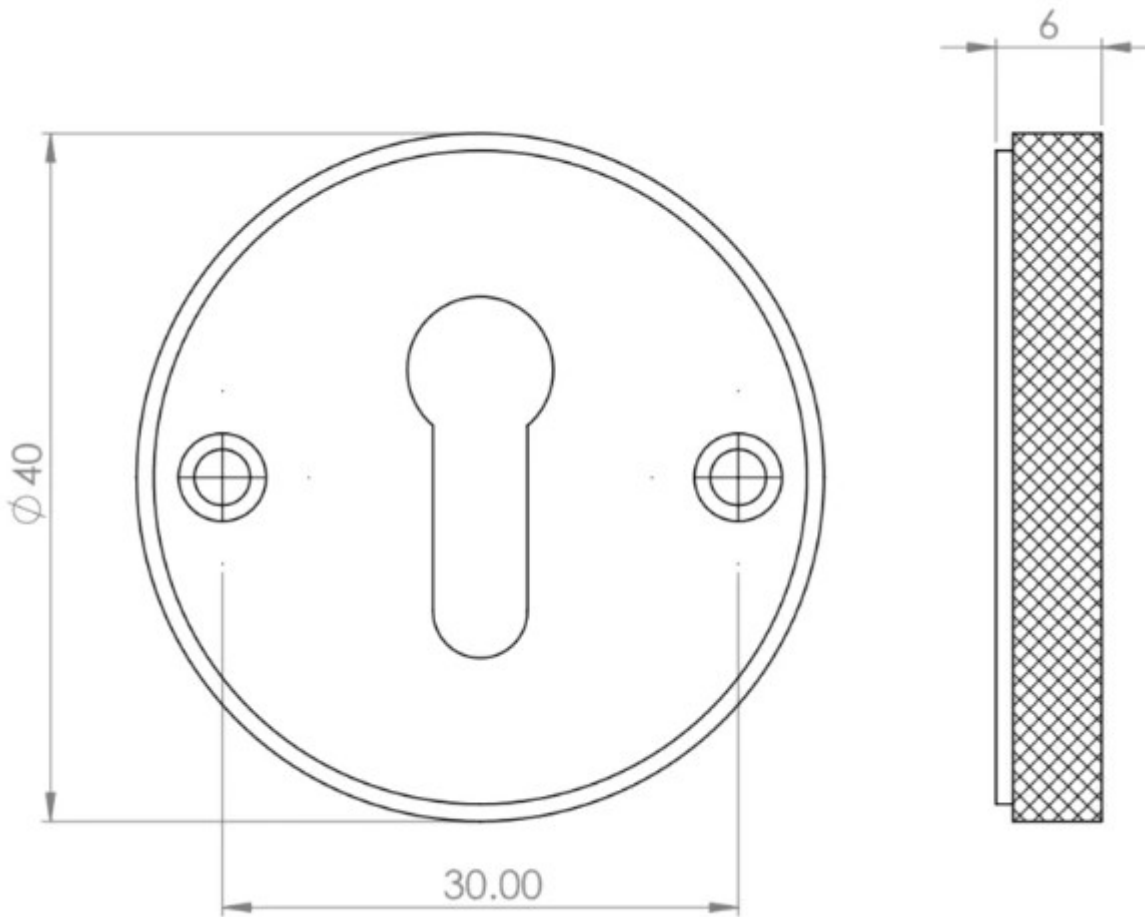
### Description

- Knurled Design Face Fixed Standard Profile Escutcheon
- Suitable for internal and external use

### Finish

- Satin Brass

## Dimensions



- Overall Size: 40mm Diameter
- Overall Thickness: 6mm

## Important Info Before You Buy

- Standard profile key hole shape and size to suit most internal and external mortice locks
- Sold individually
- Supplied with all fixings

## Products in this set



49588.1 - Knurled Design Face Fixed Escutcheon - Standard Key - Satin Brass (Lacquered) - Each