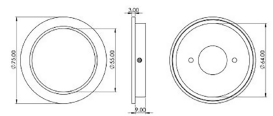

Circular Flush Pull Handle For Sliding Pocket Doors - 75mm Diameter - Satin Brass (Lacquered)

Product Images



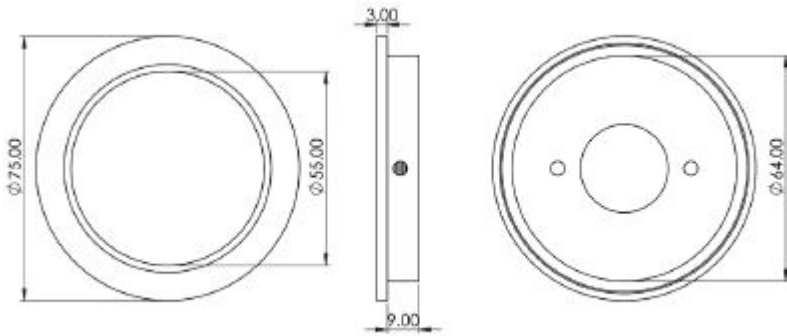
Description

- Satin Brass finish flush fitting circular handles for sliding pocket doors
- Ideal for use on sliding doors.
- Suitable for use on doors between 35mm to 45mm thick.

Finish

- Satin Brass

Dimensions



- 75mm Diameter
- 12mm depth.

Fixings

- Press fit
- A small hole on the inside edge to allow a small wood screw for a discrete look

Usage

- Suitable for internal or external use.

Unit Of Sale

- These flush pull handles are sold individually - (Each)
- Sold with fixings

Products in this set



49596.1 - Circular Flush Pull Handle For Sliding Pocket Doors - 75mm Diameter - Satin Brass (Lacquered) - Each