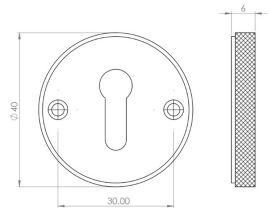


Knurled Design Face Fixed Escutcheon - Standard Key - Satin Nickel

Product Images



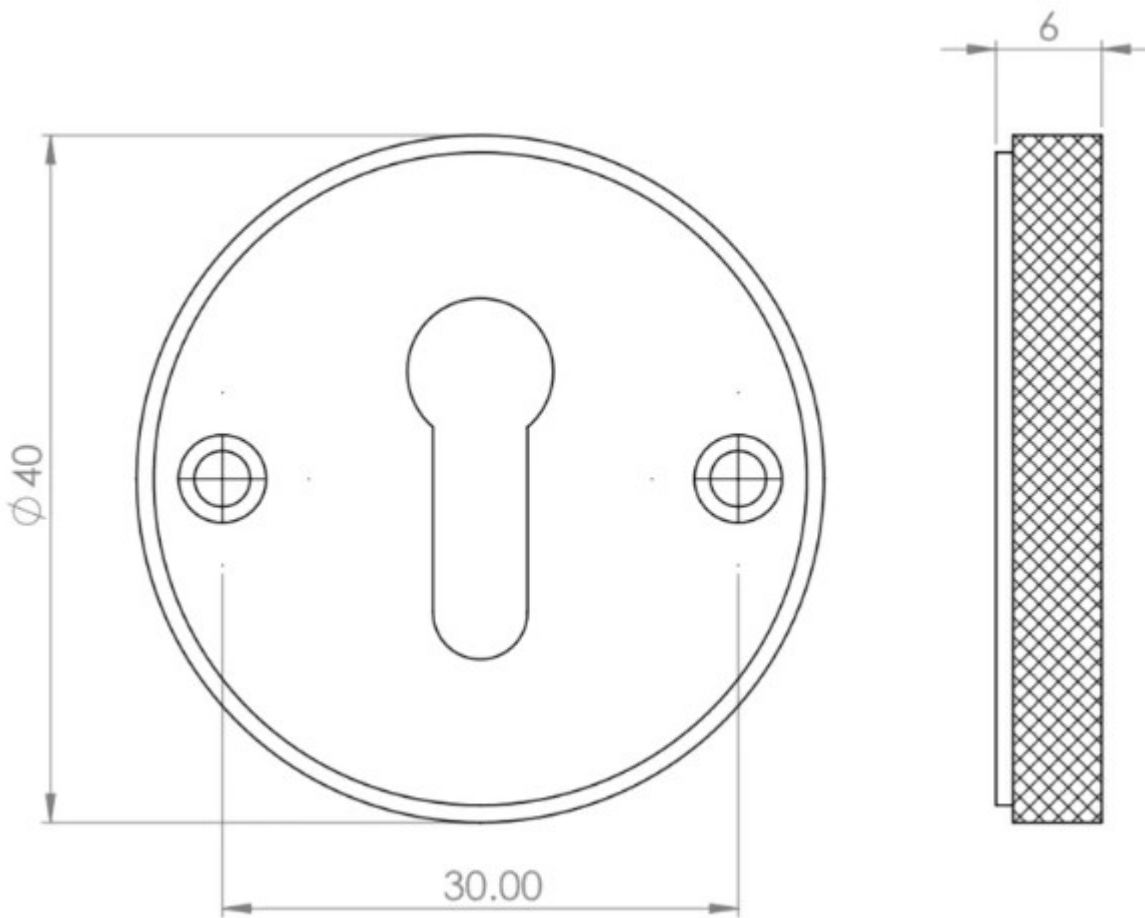
Description

- Knurled Design Face Fixed Standard Profile Escutcheon
- Suitable for internal and external use

Finish

- Satin Nickel

Dimensions



- Overall Size: 40mm Diameter
- Overall Thickness: 6mm

Important Info Before You Buy

- Standard profile key hole shape and size to suit most internal and external mortice locks
- Sold individually
- Supplied with all fixings

Products in this set



49650.1 - Knurled Design Face Fixed Escutcheon - Standard Key - Satin Nickel - Each