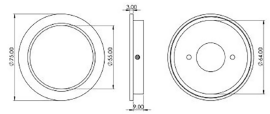


---

## Circular Flush Pull Handle For Sliding Pocket Doors - 75mm Diameter - Satin Nickel

### Product Images

---



### Description

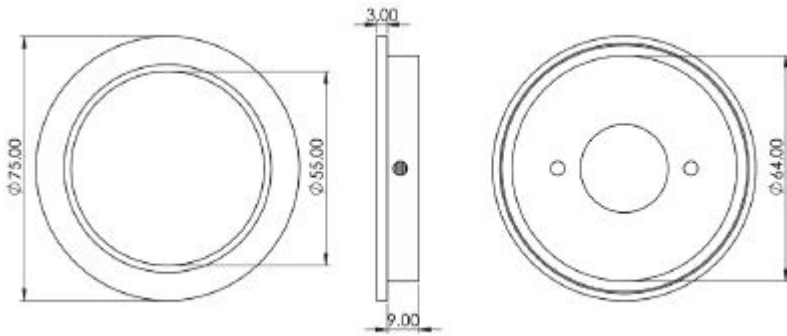
---

- Satin Nickel finish flush fitting circular handles for sliding pocket doors
- Ideal for use on sliding doors.
- Suitable for use on doors between 35mm to 45mm thick.

## Finish

- Satin Nickel

## Dimensions



- 75mm Diameter
- 12mm depth.

## Fixings

- Press fit
- A small hole on the inside edge to allow a small wood screw for a discrete look

## Usage

- Suitable for internal or external use.

## Unit Of Sale

- These flush pull handles are sold individually - (Each)
- Sold with fixings

## Products in this set



49658.1 - Circular Flush Pull Handle For Sliding Pocket Doors - 75mm Diameter - Satin Nickel - Each