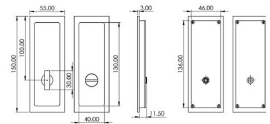


Rectangular Bathroom Turn And Release For Sliding Pocket Doors - 150mm x 55mm - Satin Nickel

Product Images



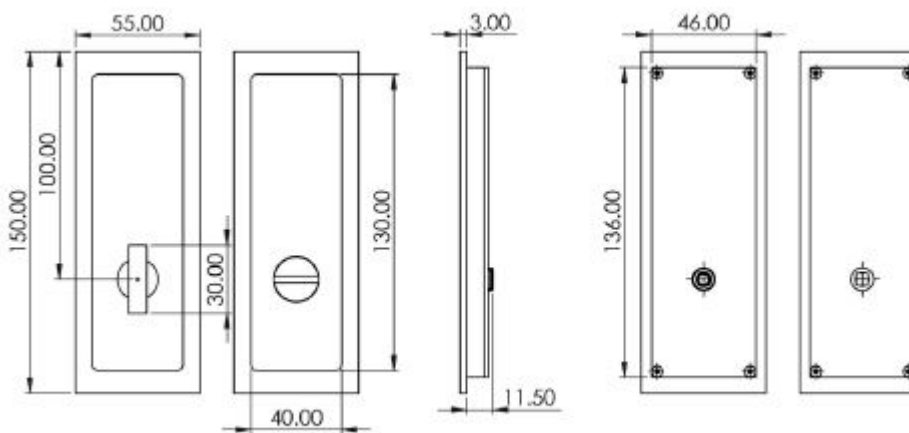
Description

- Satin Nickel finish flush fitting bathroom rectangular turn & release handle set for sliding pocket doors.
- Ideal for use on sliding bathroom and toilet doors.
- The thumb-turn is fitted to the inside of the sliding door which allows the door to be locked and unlocked.
- The release part of the lock is fitted on the outside of the sliding door and allows the door to be unlocked in an emergency by using a coin of screw driver.
- Suitable for use on doors between 35mm to 45mm thick.

Finish

- Satin Nickel

Dimensions



- Turn & Release - 150mm x 55mm
- 14.5mm depth.

Fixings

- Press fit
- A small hole on the inside edge to allow a small wood screw for a discrete look

Usage

- Suitable for internal or external use.

Unit Of Sale

- This item is sold as a set (1 x Rectangular Turn Handle & 1 x Rectangular Coin Release handle)
- Sold with fixings

Products in this set



49659.1 - Rectangular Bathroom Turn And Release For Sliding Pocket Doors - 150mm x 55mm - Satin Nickel - Set