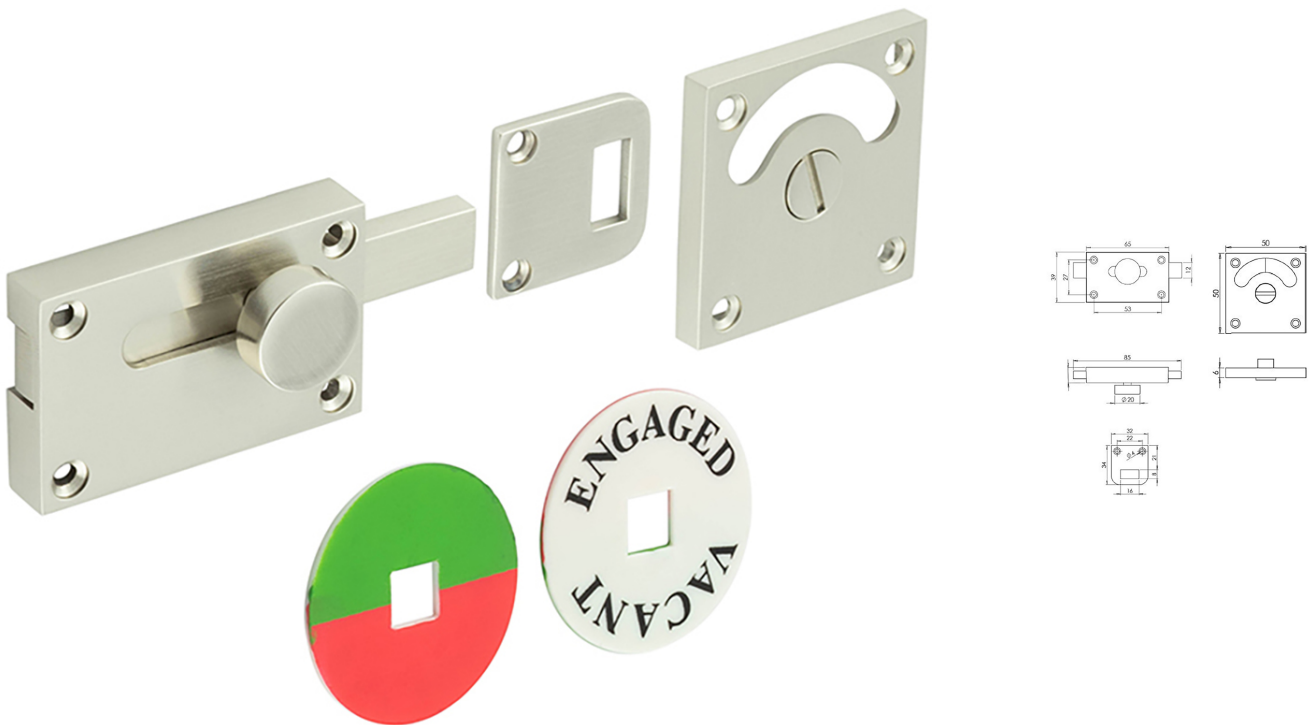


Traditional Vacant & Engaged Indicator Bolt For Bathroom & Toilet Doors - Satin Nickel

Product Images



Description

- Traditional Vacant & Engaged Indicator Bolt For Bathroom & Toilet Doors
- Face fixed
- A turn and release consists of two parts
 - 1 - a snib which is fitted on the inside of the bathroom and is used to lock the bathroom or toilet by twisting the snib a quarter turn to the left or right
 - 2 - a release which is fitted on the outside of the bathroom. If someone gets locked in the bathroom or toilet the snib can be released in an emergency by twisting a coin or screwdriver in the slotted part of the rose a quarter turn
- A turn and release is only the cosmetic part that you see on the outside of the door and does not require a mechanism to work in conjunction with it, such as a bathroom deadbolt
- Designed for use on inward opening doors
- Vacant & Engaged sign can be turned over to show red / green instead

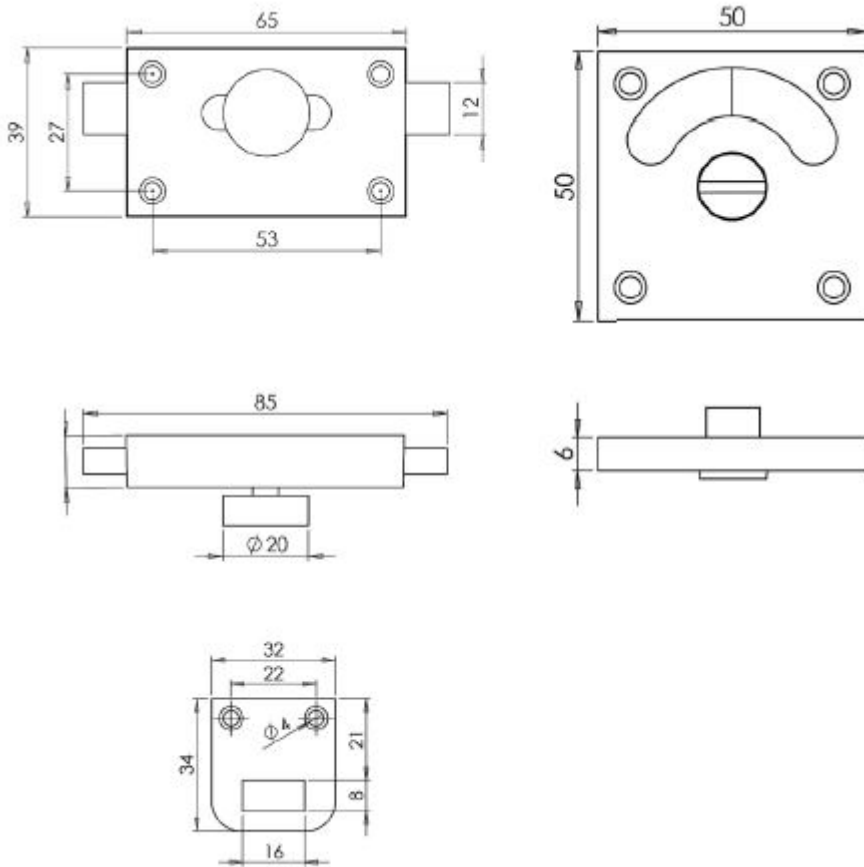
Base Material

- Solid Brass

Finish

- Satin Nickel

Dimensions



- Outside plate Size (coin release side): 50mm x 50mm
- Outside plate Size (Turn side): 65mm x 39mm

Important Info Before You Buy

- Can also be used as a privacy lock for bedrooms
- Supplied with all fixings
- Sold as a set

Products in this set



49671.1 - Traditional Vacant & Engaged Indicator Bolt For Bathroom & Toilet Doors - Satin Nickel - Set