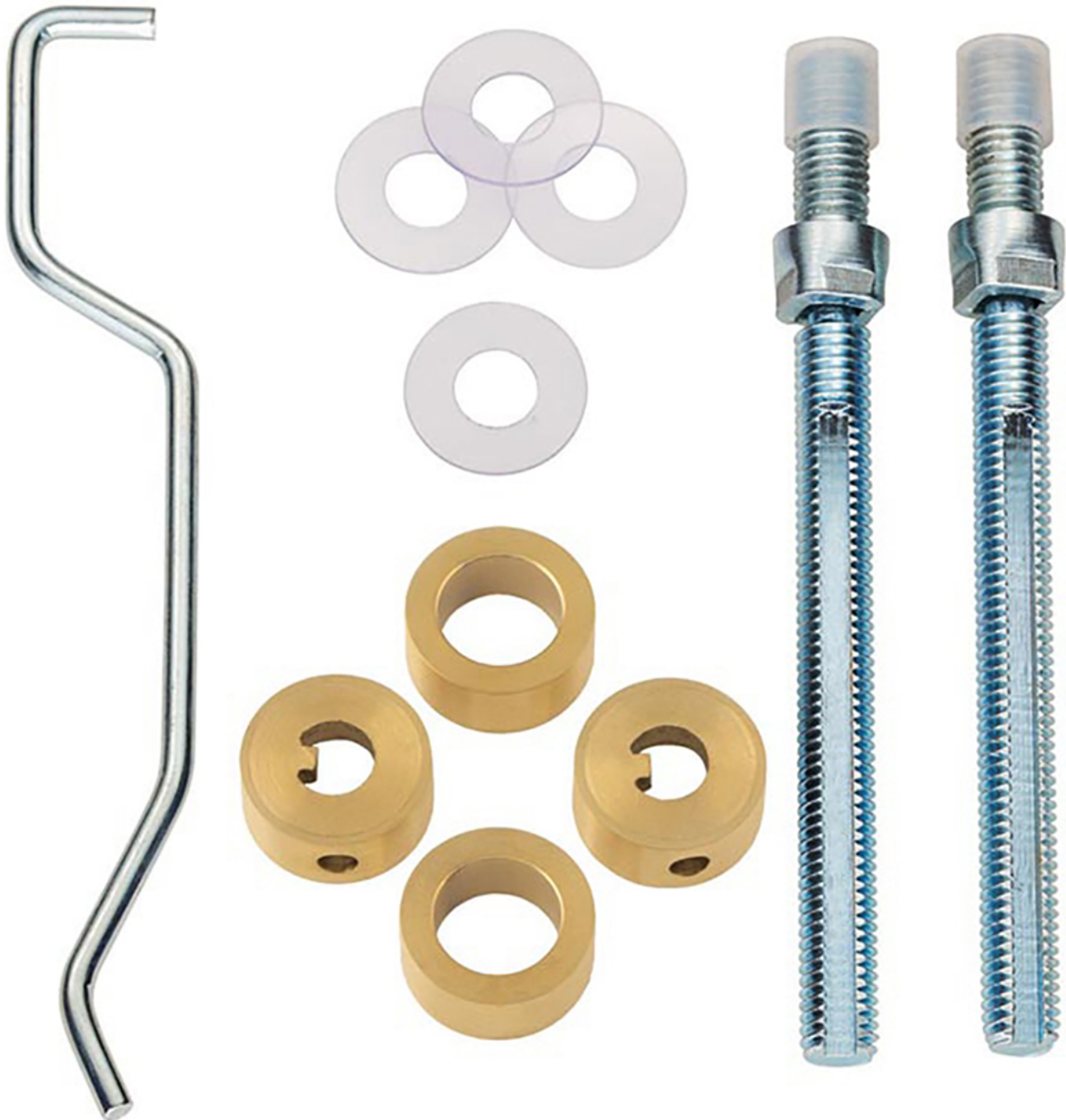


---

**Back To Back Fixing Kit For Pull Handles - 19mm Diameter - To Suit 19mm Diameter Pull Handles & Post Diameters - Satin Brass PVD Plated**

**Product Images**

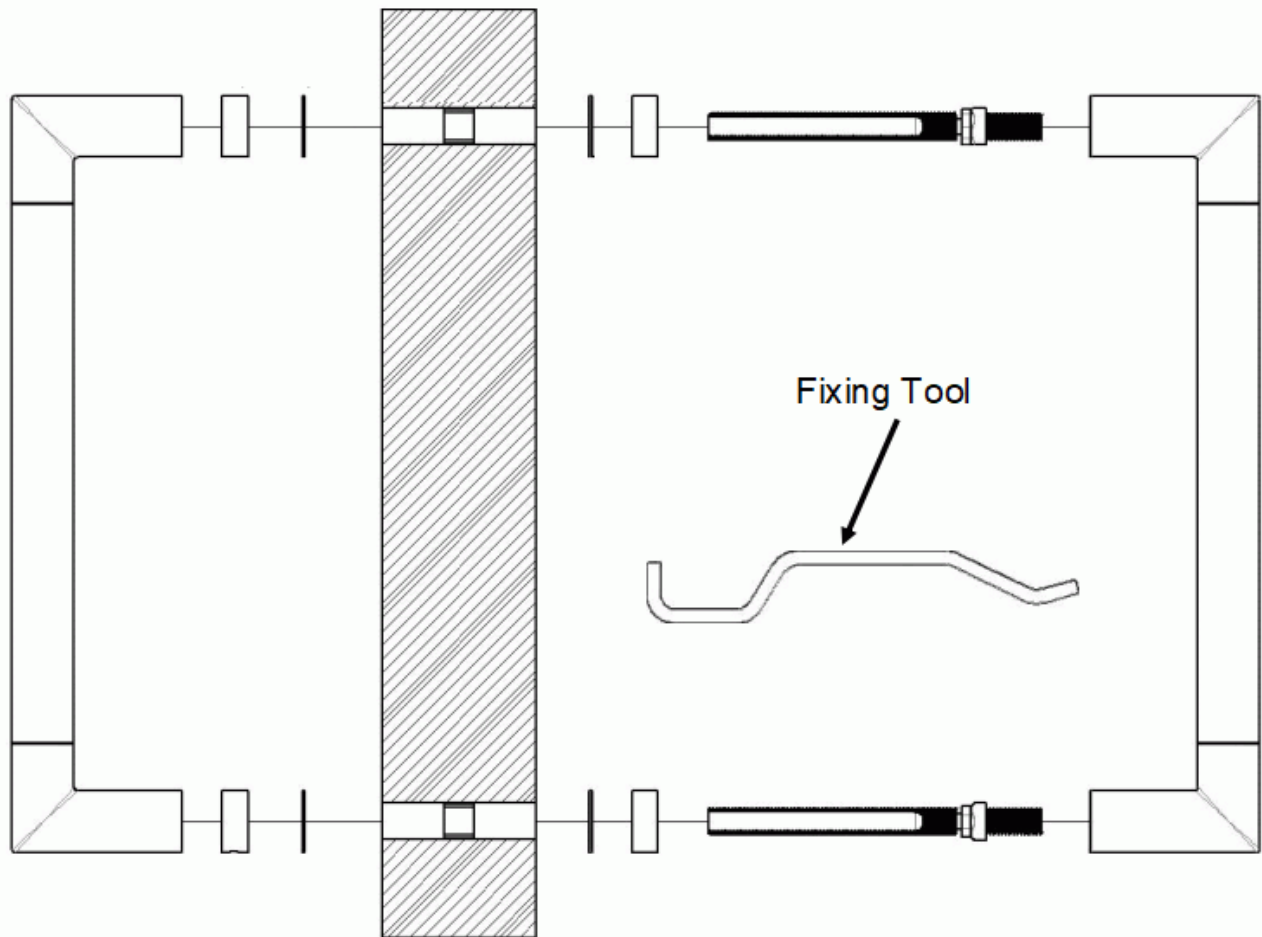
---



## Description

---

- Back to back fixing kit for tubular design pull handles.
- Allows 2x bolt through fixing pull handles to be fitted to either side of a door as a back to back pair.
- Suitable for wooden, metal or glass doors.
- Suits door thicknesses between 12mm - 55mm
- PVD Satin Brass
- Available 19mm diameter\*
- **\*Back to back kit must match the diameter of the pull handle or the "post" diameter if you're ordering a T-Bar style guardsman pull handle.**
- Please see the downloads tab for installation instructions.
- Supplied as a pair (to connect 2 x pull handles together).



## Products in this set

---



**49684.1 - Back To Back Fixing Kit For Pull Handles - 19mm Diameter - To Suit 19mm Diameter Pull Handles & Post Diameters - Satin Brass PVD Plated - Pair**