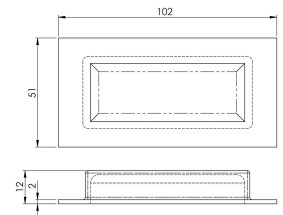


---

## Rectangular Design Flush Pull Handle - Tested For Use On FD30 Fire Doors - 100mm x 50mm - Satin Brass PVD Plated

### Product Images

---

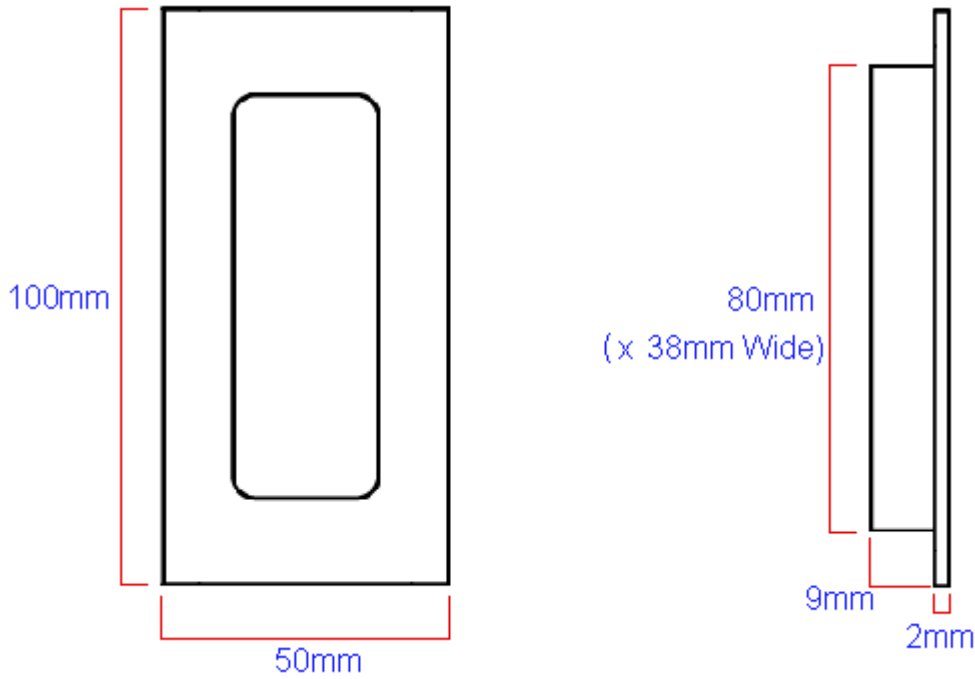


### Description

---

- Contemporary design rectangular shape flush fitting, inset pull handle for sliding doors
- Suitable for use on full height sliding doors, wardrobe doors and cupboard doors
- Sleek minimal look thanks to discreet fixings - (this item is fixed via wood screws from inside the recess)
- This item has to be morticed (cut) into the door to allow it to sit fit flush
- Available in one size only - 100mm x 50mm
- Test for use on FD30 timber fire doors (please check test evidence of your fire door for compatibility).

### Size Details



Item Code	Height	Width	Recess Depth	Recess Height	Recess Width	Backplate Thickness
49692.1	100mm	50mm	9mm	80mm	38mm	2mm

## Finish Details

- PVD Satin Brass

## Fixings

- This handle is fitted via 2 x wood screws inside the recess of the handle
- Screws are supplied with this item

## Usage

- Suitable for internal or external use
- To fit this handle completely flush a minimum door thickness of 18mm is required

## Unit Of Sale

- This item is sold individually - (Each)

### Products in this set



49692.1 - Rectangular Design Flush Pull Handle - Tested For Use On FD30 Fire Doors - 100mm x 50mm - Satin Brass PVD Plated - Each