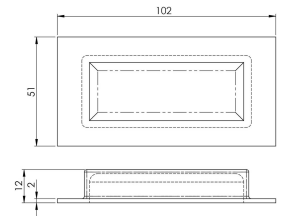

Rectangular Design Flush Pull Handle - Tested For Use On FD30 Fire Doors - 100mm x 50mm - Matt Black

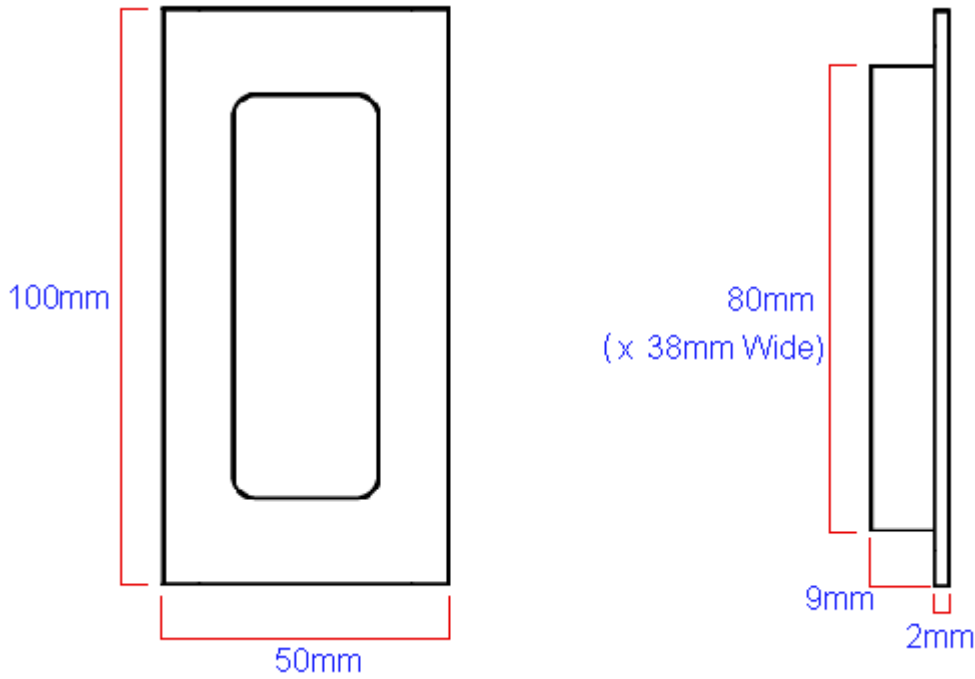
Product Images



Description

- Contemporary design rectangular shape flush fitting, inset pull handle for sliding doors
- Suitable for use on full height sliding doors, wardrobe doors and cupboard doors
- Sleek minimal look thanks to discreet fixings - (this item is fixed via wood screws from inside the recess)
- This item has to be morticed (cut) into the door to allow it to sit fit flush
- Available in one size only - 100mm x 50mm
- Test for use on FD30 timber fire doors (please check test evidence of your fire door for compatibility).

Size Details



Item Code	Height	Width	Recess Depth	Recess Height	Recess Width	Backplate Thickness
49693.1	100mm	50mm	9mm	80mm	38mm	2mm

Finish Details

- Matt Black

Fixings

- This handle is fitted via 2 x wood screws inside the recess of the handle
- Screws are supplied with this item

Usage

- Suitable for internal or external use
- To fit this handle completely flush a minimum door thickness of 18mm is required

Unit Of Sale

- This item is sold individually - (Each)

Products in this set



49693.1 - Rectangular Design Flush Pull Handle - Tested For Use On FD30 Fire Doors - 100mm x 50mm - Matt Black - Each