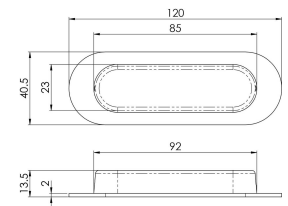


Oval Shape Flush Pull Handle - Tested For Use On FD30 Fire Doors - 120mm x 40mm - Satin Brass PVD Plated

Product Images

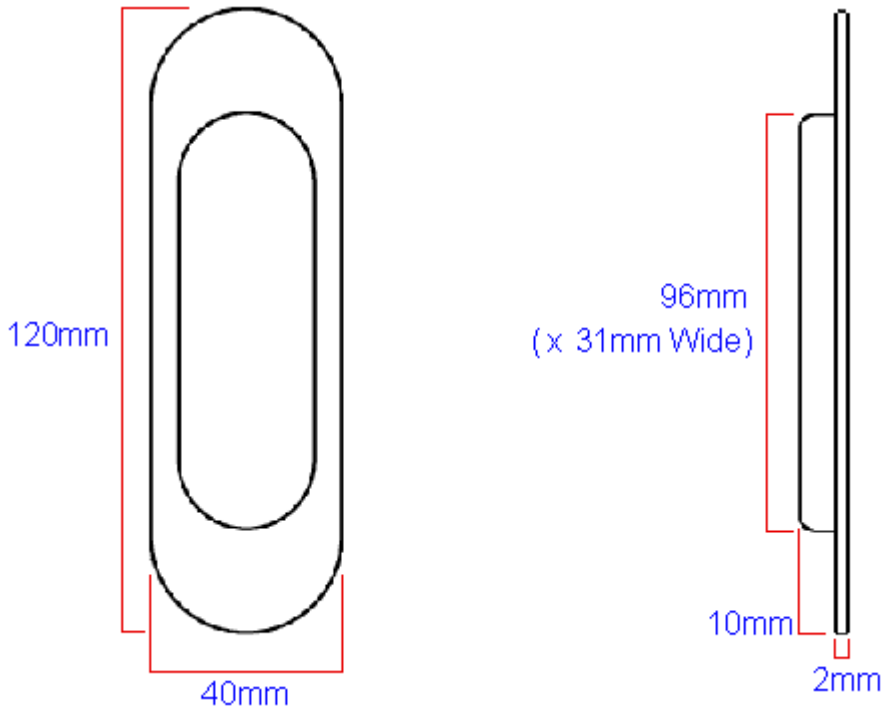


Description

- Contemporary design oval shape flush fitting, inset pull handle for sliding doors
- This item has to be morticed (cut) into the door to allow it to sit fit flush
- Suitable for use on full height sliding doors, wardrobe doors and cupboard doors
- Sleek minimal look thanks to discreet fixings - (This item is fixed via wood screws from inside the recess)
- Available in one size only - 120mm x 40mm

- Test for use on FD30 timber fire doors (please check test evidence of your fire door for compatibility).

Size Details



Item Code	Height	Width	Recess Depth	Recess Height	Recess Width	Backplate Thickness
49694.1	120mm	40mm	10mm	96mm	31mm	2mm

Finish Details

- PVD Satin Brass

Fixings

- This handle is fitted via 2 x wood screws inside the recess of the handle
- Screws are supplied with this item

Usage

- Suitable for internal or external use
- To fit this handle completely flush a minimum door thickness of 18mm is required

Unit Of Sale

- This item is sold individually - (Each)

Products in this set



49694.1 - Oval Shape Flush Pull Handle - Tested For Use On FD30 Fire Doors - 120mm x 40mm - Satin Brass PVD Plated - Each