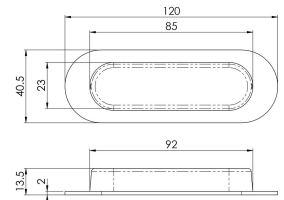


Oval Shape Flush Pull Handle - Tested For Use On FD30 Fire Doors - 120mm x 40mm - Matt Black

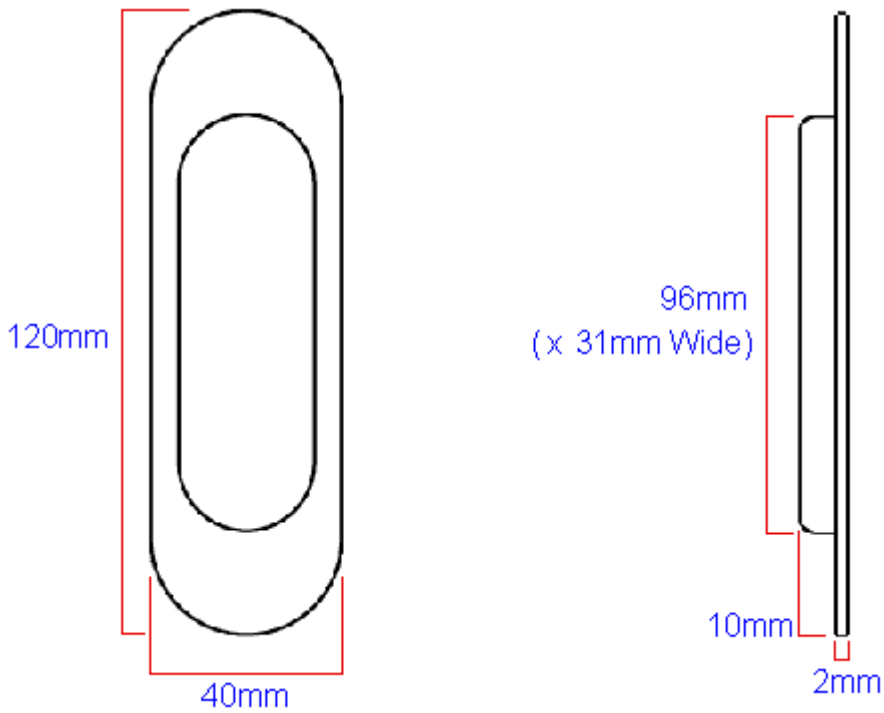
Product Images



Description

- Contemporary design oval shape flush fitting, inset pull handle for sliding doors
- This item has to be morticed (cut) into the door to allow it to sit fit flush
- Suitable for use on full height sliding doors, wardrobe doors and cupboard doors
- Sleek minimal look thanks to discreet fixings - (This item is fixed via wood screws from inside the recess).
- Test for use on FD30 timber fire doors (please check test evidence of your fire door for compatibility).
- Available in one size only - 120mm x 40mm

Size Details



Item Code	Height	Width	Recess Depth	Recess Height	Recess Width	Backplate Thickness
49694.1	120mm	40mm	10mm	96mm	31mm	2mm

Finish Details

- Matt Black

Fixings

- This handle is fitted via 2 x wood screws inside the recess of the handle
- Screws are supplied with this item

Usage

- Suitable for internal or external use
- To fit this handle completely flush a minimum door thickness of 18mm is required

Unit Of Sale

- This item is sold individually - (Each)

Products in this set



49702.1 - Oval Shape Flush Pull Handle - Tested For Use On FD30 Fire Doors - 120mm x 40mm - Matt Black - Each