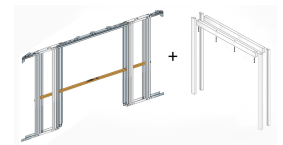
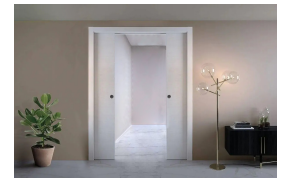


Scrigno Adjustable Double Sliding Pocket Door Kit - To Suit Doors Up To 1026mm Wide And Up To 2700mm High - 125mm Finished Wall Thickness - Supplied With White Melamine Jamb Kit

Product Images



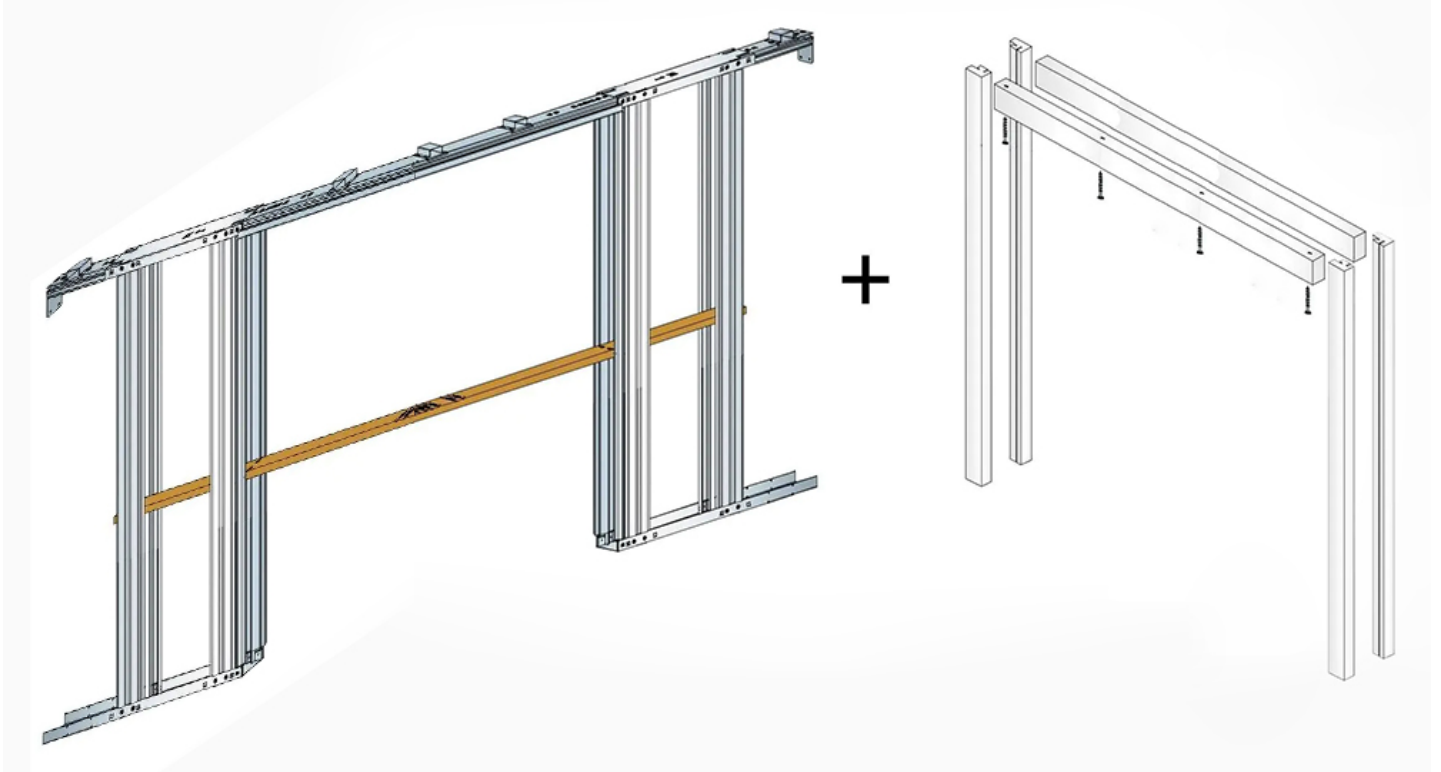
Short Description

- Scrigno adjustable double pocket door kit for large and oversized doors.
- Designed to hang 2 x doors up to 1026mm wide (each) and up to 2700mm high.
- Suits doors 35mm - 44mm thick.
- Max door weight 120kg.
- Supplied with white melamine jamb kit.

Description

- The Scrigno (pronounced Scree-nio) adjustable pocket door kit is stud work based kit which can be adjusted on site to suit large double doors up to 1026mm wide and up to 2700mm high.
- Allows an interior door to slide and disappear into a "pocket" within the wall cavity.
- Each set includes all the main components needed to install a long lasting, smooth running double sliding doors including stud work pocket which is used to create the wall cavity or "pocket" for the door to slide into.

- This high quality sliding door gear is suitable for residential and light commercial applications. The unique design allows doors between 35mm-45mm thick to be installed with a finished wall thickness of 125mm.
- Supplied as a stud work kit to create the pocket, which can be fully fitted in under 60 minutes by a skilled installer.
- Suitable for doors up to 120kg in weight.
- Suitable for use with timber doors only - **door not included**.
- The Scrigno kit is supplied **complete with a white melamine timber lining jamb kit**.



Accessories Available To Suit The Scrigno Adjustable Single Pocket Door Kit

- Soft close damper - to softly close the sliding door. - (sold separately product 48730).

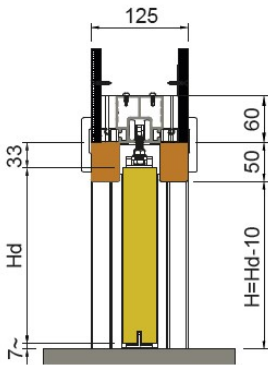
Features & Benefits

- Space saving - sliding doors help create up to 8% more living more space within a property
- Quiet operation
- Easy installation
- Economical
- Suitable for two doors up to 1026mm wide and up to 2700mm high.
- Track and stud work is pre-marked to show the installer exactly where to cut for standard door sizes.



Dimensions - Frame Sizes & Door Kit Sizes Available

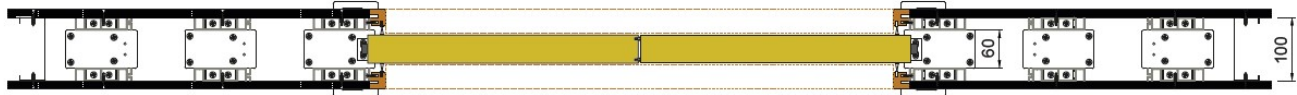
Double



DOOR IN OPEN POSITION



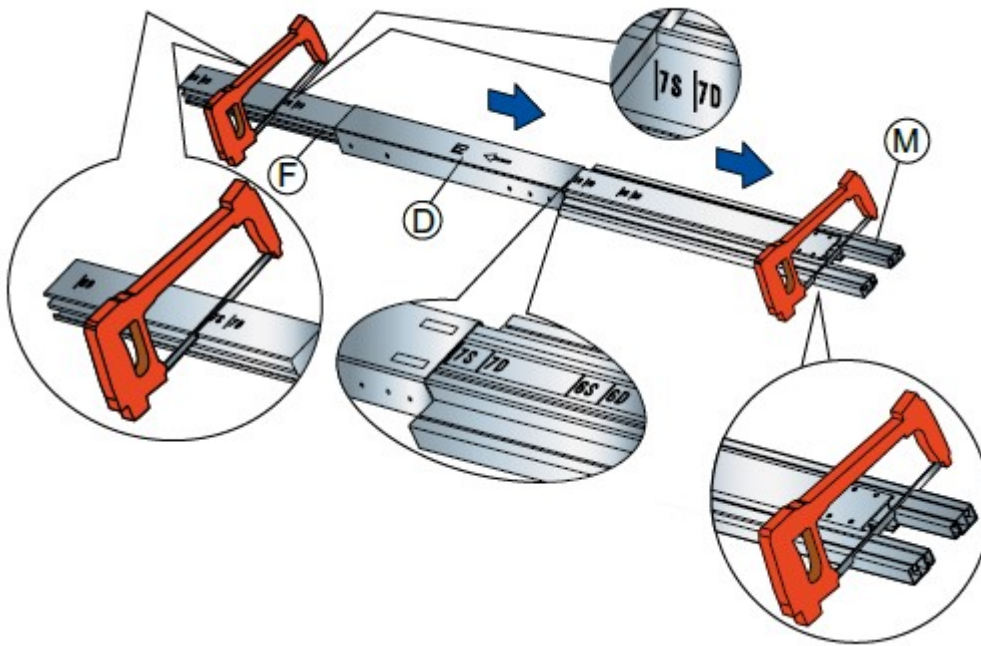
DOOR IN CLOSED POSITION



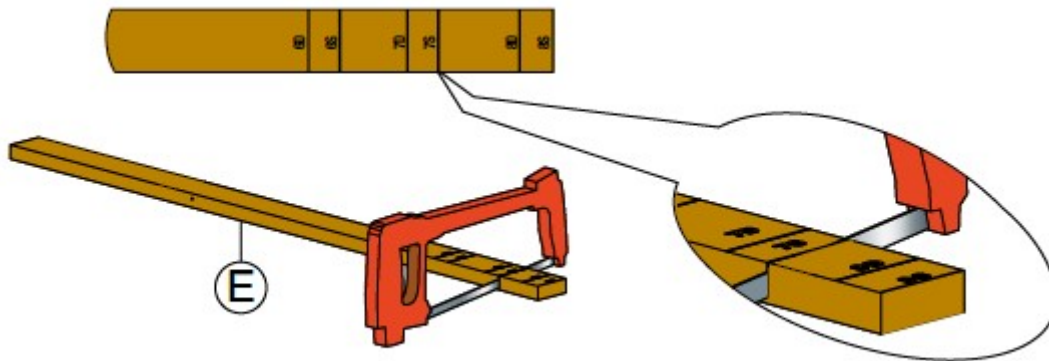
Code	Door Widths (Ld)	Max Door Height (Hd)	Clear Passage Width (L)	Clear Passage Height (H)	Overall Frame Width	Overall Frame Height	Finished Wall Thickness
49775.1	2 x Doors Up To 626mm - 1026mm	2700mm	= 2 x Door Width (Ld) Minus 52mm	= Door Height (Hd) Minus 10mm	= Door Width (Ld) x 3.98	= Door Height (Hd) + 100mm	125mm

Cutting Details

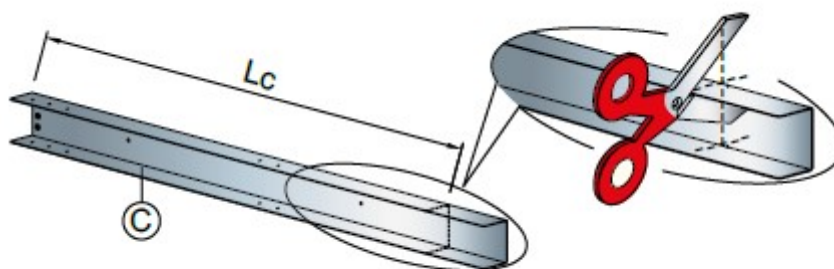
1. Cut track "F" to the desired size on the rear side • Cut PVC profile bars "M" on the front side



2. Cut the wooden spacer "E" to the desired size (see above charts)



3. If necessary, cut the floor base profile bar "C" to be positioned on floor (see chart)



- Please note plasterboard is not provided with this kit and must be purchased separately.

Items Included Within The Scigno Pocket Sliding Door Kit

- Metal stud work to create the "pockets"
- Screws to fix plasterboard to metal frame - **(Plasterboard not supplied)**
- Roller bearing door hanger kit
- White melamine timber lining kit - (door jamb kit) including brush seals.

Installation Videos

Products in this set



49776.1 - Scigno Adjustable Double Sliding Pocket Door Kit - To Suit Doors Up To 1026mm Wide And Up To 2700mm High - 125mm Finished Wall Thickness - Supplied With White Melamine Jamb Kit