

Rectangular Turn & Release Hook Lock For Sliding Pocket Doors - 197mm x 57mm - Matt Bronze (Lacquered)

Product Images



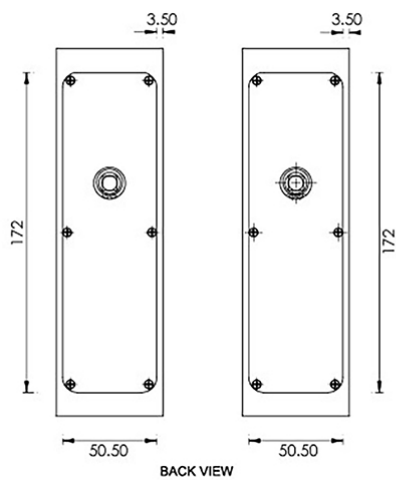
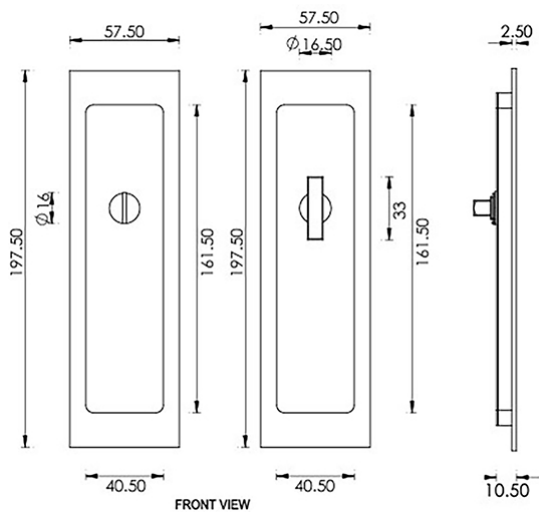
Description

- Matt Bronze finish flush fitting bathroom rectangular turn & release handle set for sliding pocket doors.
- Ideal for use on sliding bathroom and toilet doors.
- The thumb-turn is fitted to the inside of the sliding door which allows the door to be locked and unlocked.
- The release part of the lock is fitted on the outside of the sliding door and allows the door to be unlocked in an emergency by using a coin of screw driver.
- Suitable for use on doors between 35mm to 45mm thick.
- Supplied with a bathroom hook lock

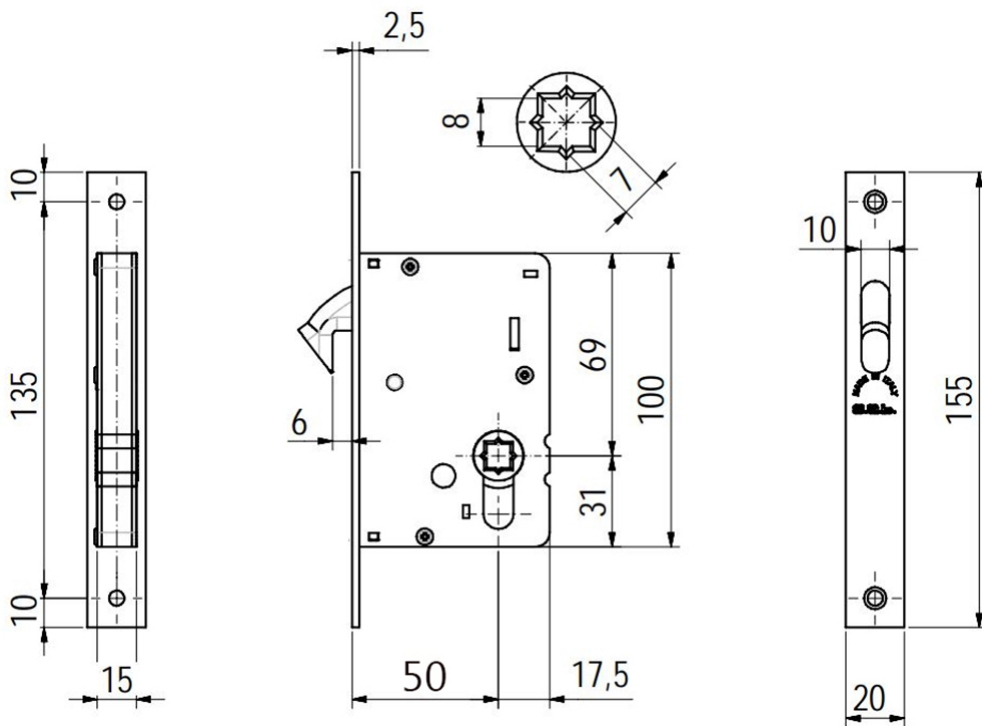
Finish

- Matt Bronze

Dimensions



- Turn & Release - 197.5mm x 57.5mm
- 10.5mm depth



- Lock Case - 57.7mm deep
- Backset - 50mm
- Case Depth - 67.5mm

Fixings

- Press fit
- A small hole on the inside edge to allow a small nail for a discrete look

Usage

- Suitable for internal use

Unit Of Sale

- This item is sold as a set (1 x Rectangular Turn Handle, 1 x Rectangular Coin Release handle, and 1 x Bathroom Hook Lock Set)
- Sold with fixings

Products in this set



49711.1 - Rectangular Turn & Release Hook Lock For Sliding Pocket Doors - 197mm x 57mm - Matt Bronze (Lacquered) - Set