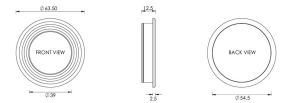


Circular Reeded Flush Pull Handle For Sliding Pocket Doors - 63mm Diameter - Matt Bronze (Lacquered)

Product Images



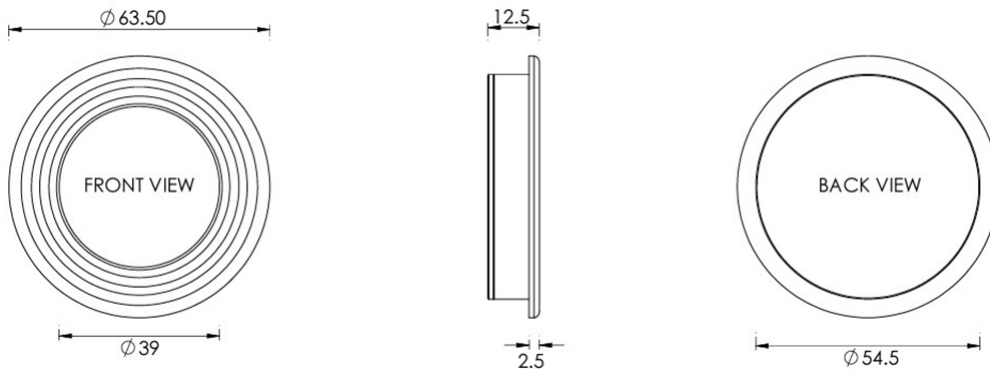
Description

- Circular reeded flush pull handle for sliding pocket doors
- Suits minimum door thickness 35mm
- This flush handle has a lipped inner edge ideal for pulling open hinged doors

Finish

- Matt Bronze

Dimensions



- Projection - 12.5mm
- Diameter - 63.5mm

Fixings

- Press fit
- A small hole on the inside edge to allow a small nail for a discrete look

Usage

- Suitable for internal use

Unit Of Sale

- These flush pull handles are sold individually - (Each)
- Sold with fixings

Products in this set



49714.1 - Circular Reeded Flush Pull Handle For Sliding Pocket Doors - 63mm Diameter - Matt Bronze (Lacquered) - Each