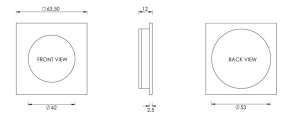


## Squared Flush Pull Handle For Sliding Pocket Doors - 63mm x 63mm - Polished Nickel

### Product Images



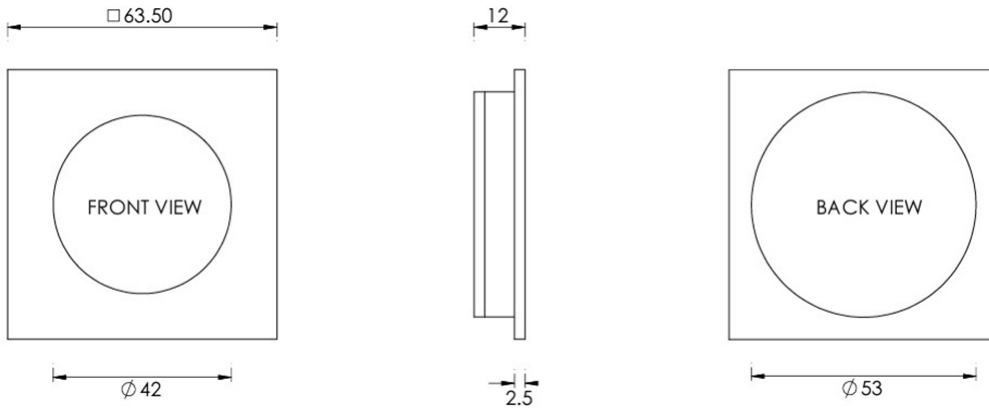
### Description

- Squared flush pull handle for sliding pocket doors
- Suits minimum door thickness 35mm

### Finish

- Polished Nickel

### Dimensions



- Projection - 12mm
- Overall Size - 63.5mm x 63.5mm

## Fixings

- Press fit
- A small hole on the inside edge to allow a small nail for a discrete look

## Usage

- Suitable for internal use

## Unit Of Sale

- These flush pull handles are sold individually - (Each)
- Sold with fixings

### Products in this set



49732.1 - Squared Flush Pull Handle For Sliding Pocket Doors - 63mm x 63mm - Polished Nickel - Each