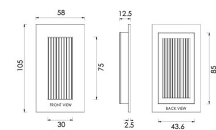
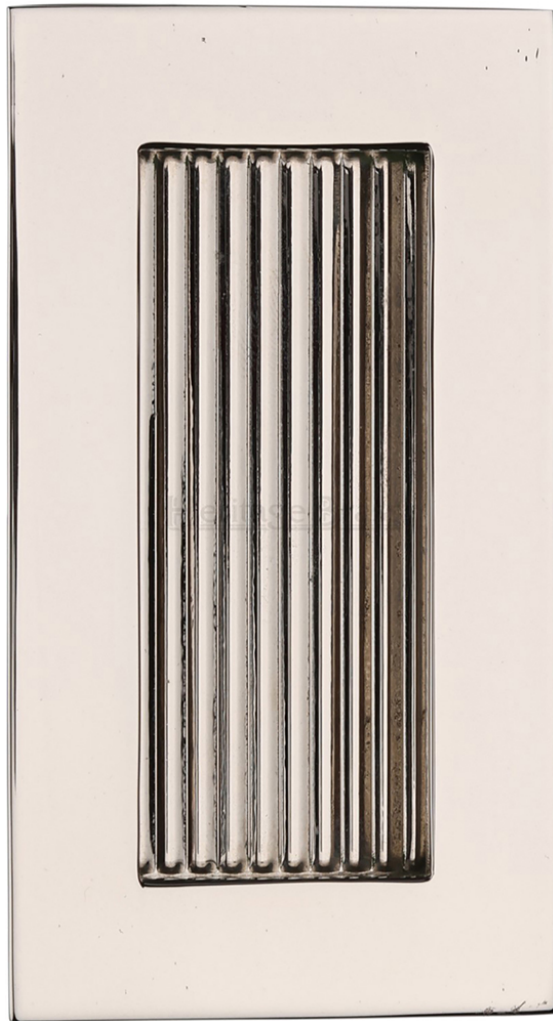
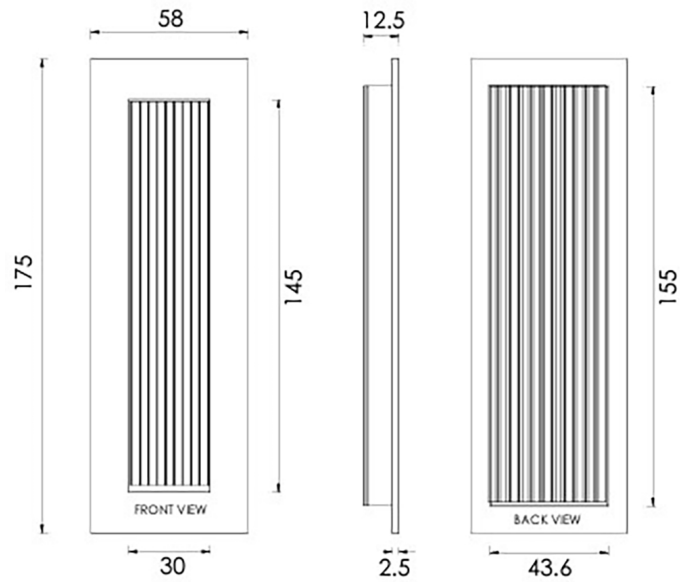


**Rectangular Reeded Flush Pull Handle For Sliding Pocket Doors - Three Sizes Available - Polished Nickel**





## Description

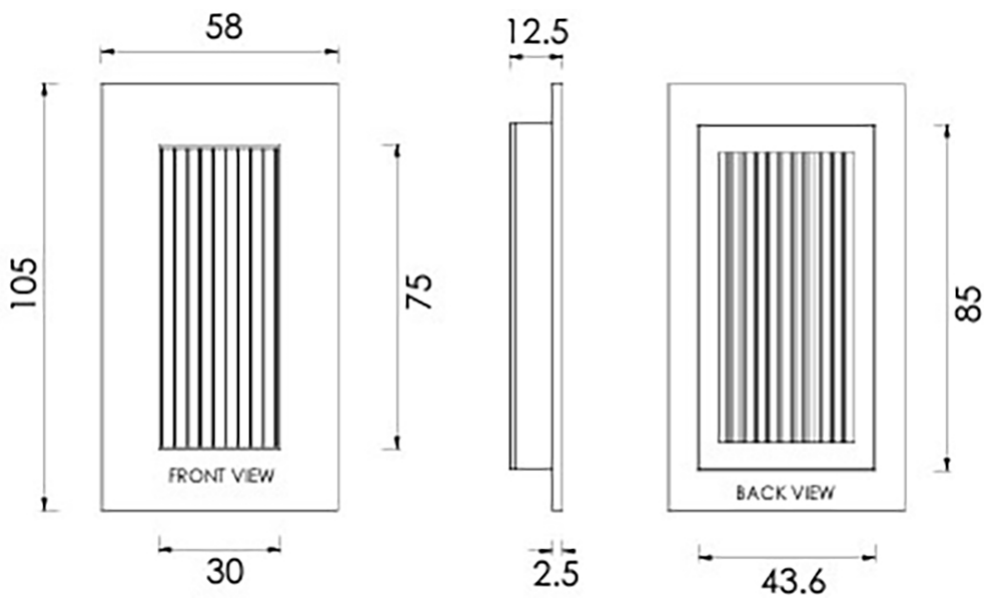
- Polished Nickel finish flush fitting rectangular reeded handles for sliding pocket doors.
- Ideal for use on sliding doors.
- Suits minimum door thickness 35mm
- This flush handle has a lipped inner edge ideal for pulling open hinged doors

## Finish

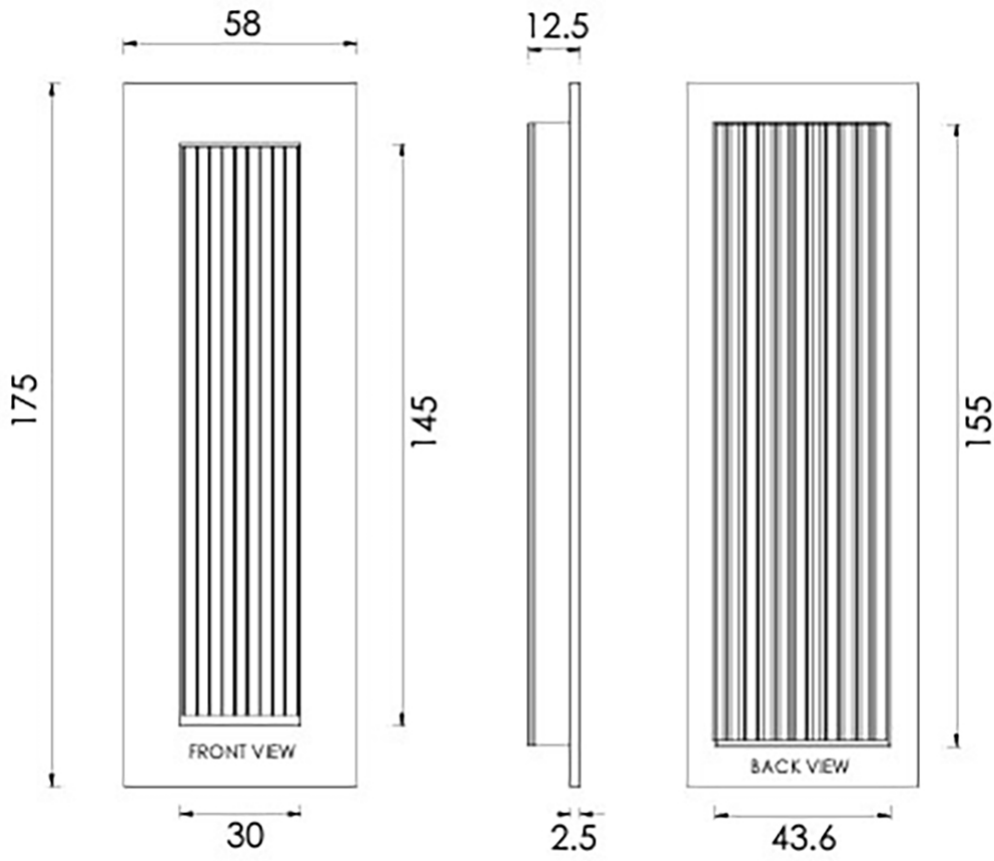
- Polished Nickel

## Dimensions

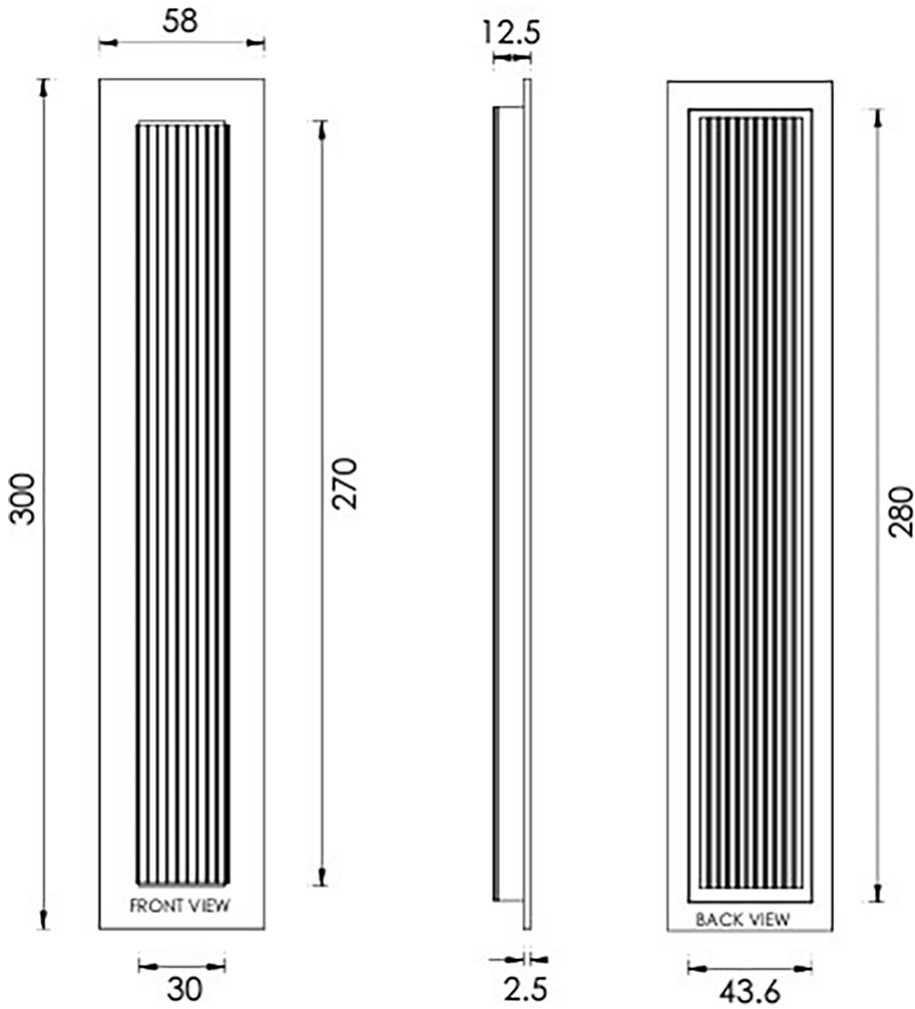
Three Sizes Available



- Overall Size - 105mm x 58mm
- 12.5mm depth



- Overall Size - 175mm x 58mm
- 12.5mm depth



- Overall Size - 300mm x 58mm
- 12.5mm depth

## Fixings

- Press fit
- A small hole on the inside edge to allow a small nail for a discrete look

## Usage

- Suitable for internal use

## Unit Of Sale

- These flush pull handles are sold individually - (Each)
- Sold with fixings

### Products in this set

---



**49734.1 - Rectangular Reeded Flush Pull Handle For Sliding Pocket Doors - 105mm x 58mm - Polished Nickel - Each**



**49734.2 - Rectangular Reeded Flush Pull Handle For Sliding Pocket Doors - 175mm x 58mm - Polished Nickel - Each**



**49734.3 - Rectangular Reeded Flush Pull Handle For Sliding Pocket Doors - 300mm x 58mm - Polished Nickel - Each**