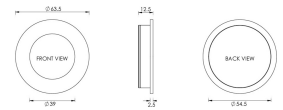


## Circular Flush Pull Handle For Sliding Pocket Doors - 63mm Diameter - Satin Nickel

### Product Images



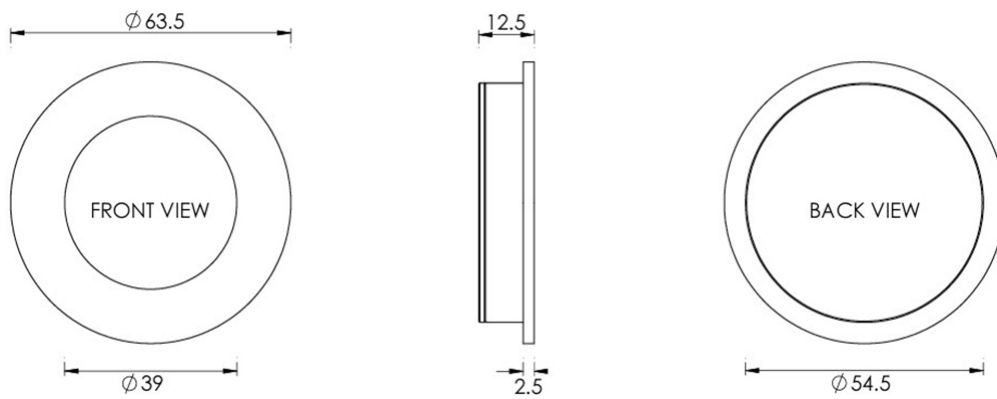
### Description

- Circular flush pull handle for sliding pocket doors
- Suits minimum door thickness 35mm
- This flush handle has a lipped inner edge ideal for pulling open hinged doors

### Finish

- Satin Nickel

### Dimensions



- Projection - 12.5mm
- Diameter - 63.5mm

## Fixings

- Press fit
- A small hole on the inside edge to allow a small nail for a discrete look

## Usage

- Suitable for internal use

## Unit Of Sale

- These flush pull handles are sold individually - (Each)
- Sold with fixings

### Products in this set



49737.1 - Circular Flush Pull Handle For Sliding Pocket Doors - 63mm Diameter - Satin Nickel - Each