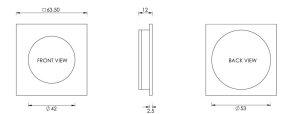


Squared Flush Pull Handle For Sliding Pocket Doors - 63mm x 63mm - Antique Brass (Gloss Lacquered)

Product Images



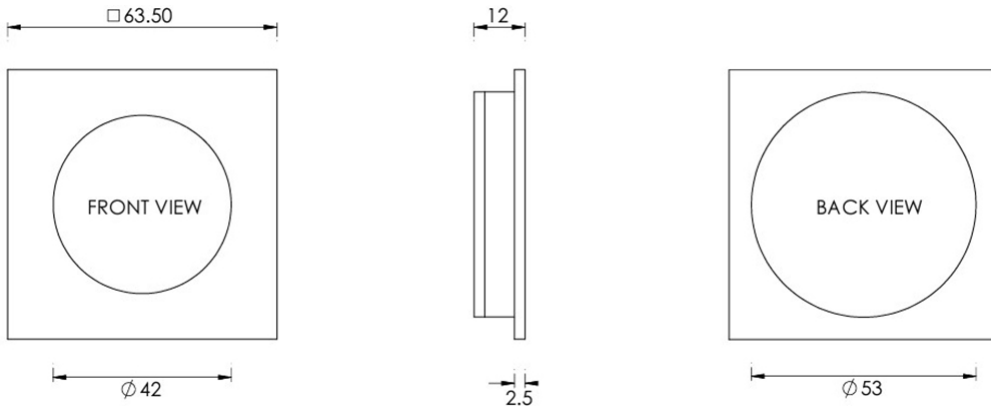
Description

- Squared flush pull handle for sliding pocket doors
- Suits minimum door thickness 35mm

Finish

- Antique Brass

Dimensions



- Projection - 12mm
- Overall Size - 63.5mm x 63.5mm

Fixings

- Press fit
- A small hole on the inside edge to allow a small nail for a discrete look

Usage

- Suitable for internal use

Unit Of Sale

- These flush pull handles are sold individually - (Each)
- Sold with fixings

Products in this set



49748.1 - Squared Flush Pull Handle For Sliding Pocket Doors - 63mm x 63mm - Antique Brass (Gloss Lacquered) - Each