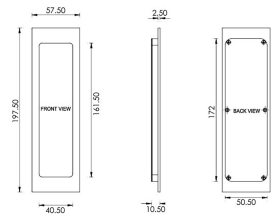


Rectangular Flush Pull Handle For Sliding Pocket Doors - 197mm x 57mm - Polished Chrome

Product Images



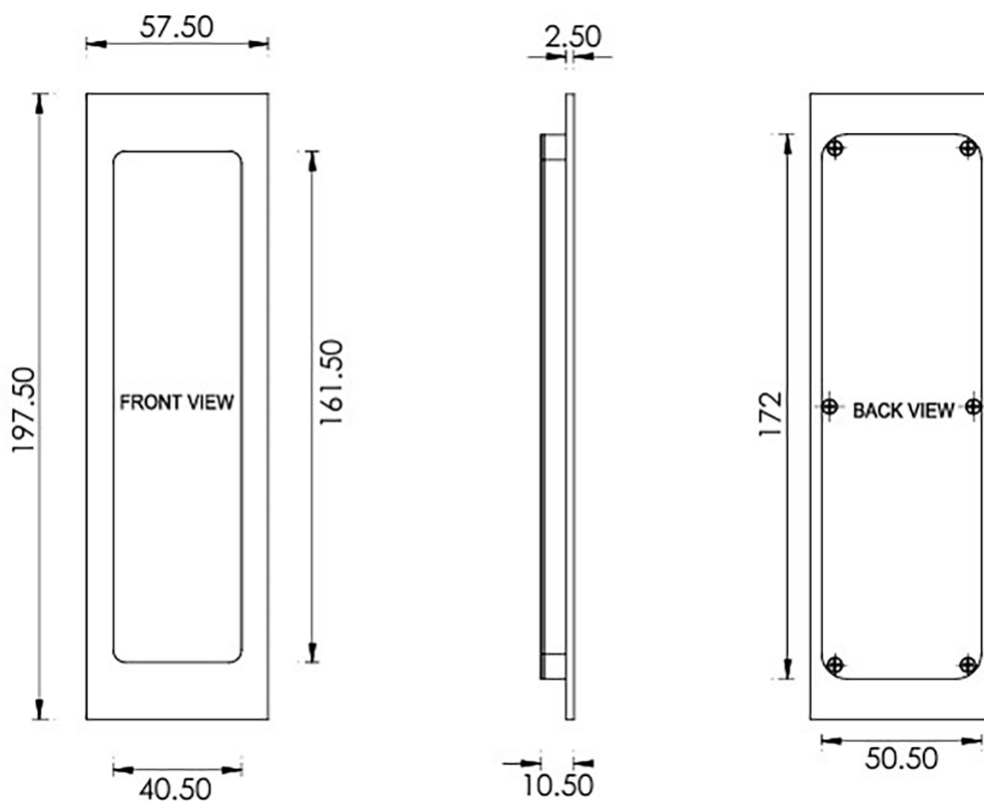
Description

- Polished Chrome finish flush fitting rectangular handles for sliding pocket doors.
- Ideal for use on sliding doors.
- Suits minimum door thickness 35mm

Finish

- Polished Chrome

Dimensions



- Overall Size - 197.5mm x 40.5mm
- 10.5mm depth

Fixings

- Press fit
- A small hole on the inside edge to allow a small nail for a discrete look

Usage

- Suitable for internal use

Unit Of Sale

- These flush pull handles are sold individually - (Each)
- Sold with fixings



49768.1 - Rectangular Flush Pull Handle For Sliding Pocket Doors - 197mm x 57mm - Polished Chrome - Each

Products in this set