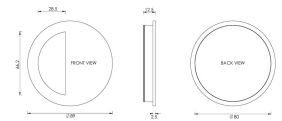


Circular Flush Pull Handle With Semi Circle Half Moon Grip - 89mm Diameter - Polished Chrome

Product Images



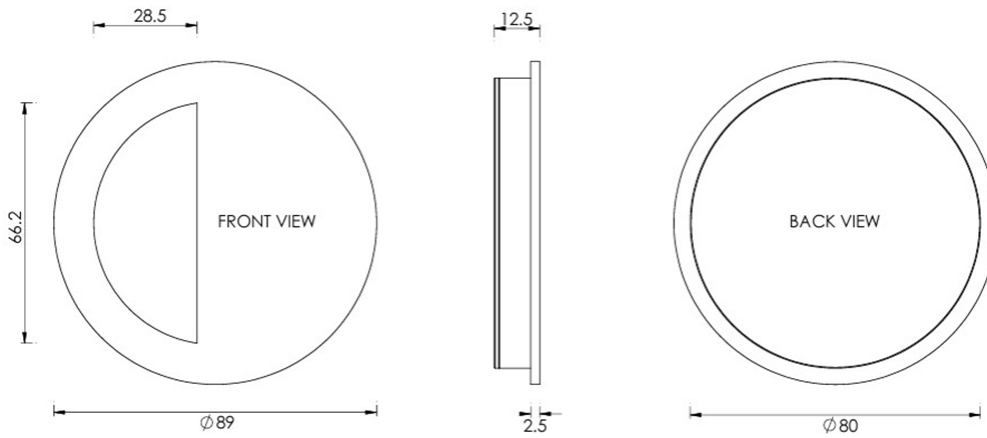
Description

- Circular flush pull handle with semi circle half moon grip for sliding pocket doors
- Suits minimum door thickness 35mm
- This flush handle has a lipped inner edge ideal for pulling open hinged doors

Finish

- Polished Chrome

Dimensions



- Projection - 12.5mm
- Diameter - 89mm

Fixings

- Press fit
- A small hole on the inside edge to allow a small nail for a discrete look

Usage

- Suitable for internal use

Unit Of Sale

- These flush pull handles are sold individually - (Each)
- Sold with fixings

Products in this set



49771.1 - Circular Flush Pull Handle With Semi Circle Half Moon Grip - 89mm Diameter - Polished Chrome - Each