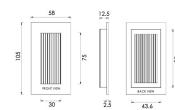
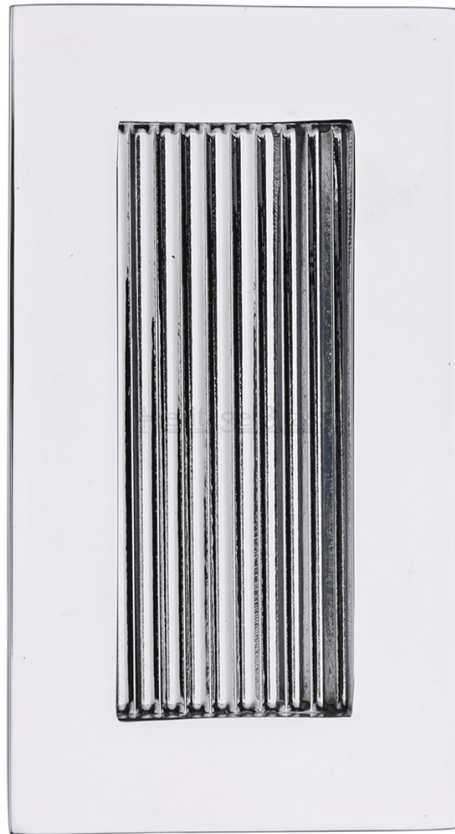
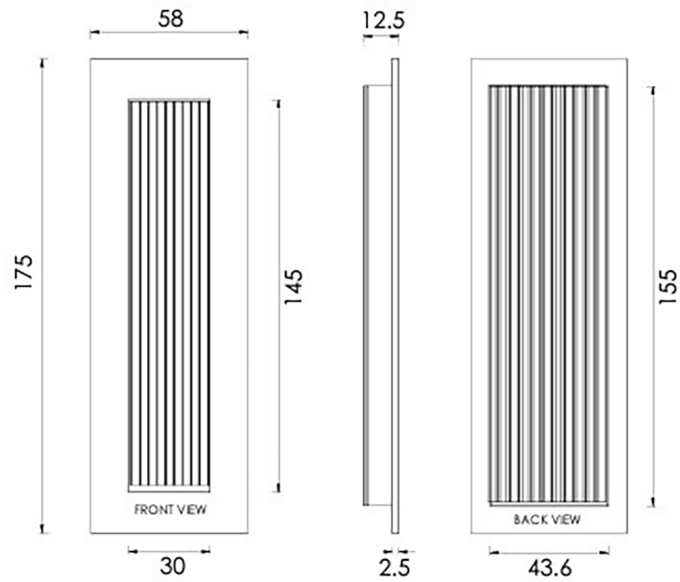


Rectangular Reeded Flush Pull Handle For Sliding Pocket Doors - Three Sizes Available - Polished Chrome





Description

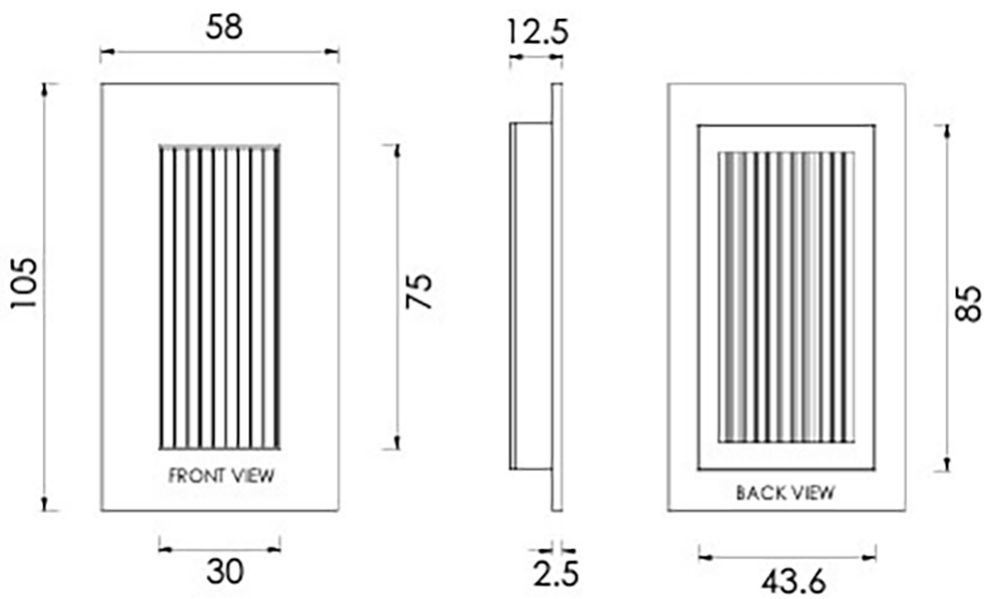
- Polished Chrome finish flush fitting rectangular reeded handles for sliding pocket doors.
- Ideal for use on sliding doors.
- Suits minimum door thickness 35mm
- This flush handle has a lipped inner edge ideal for pulling open hinged doors

Finish

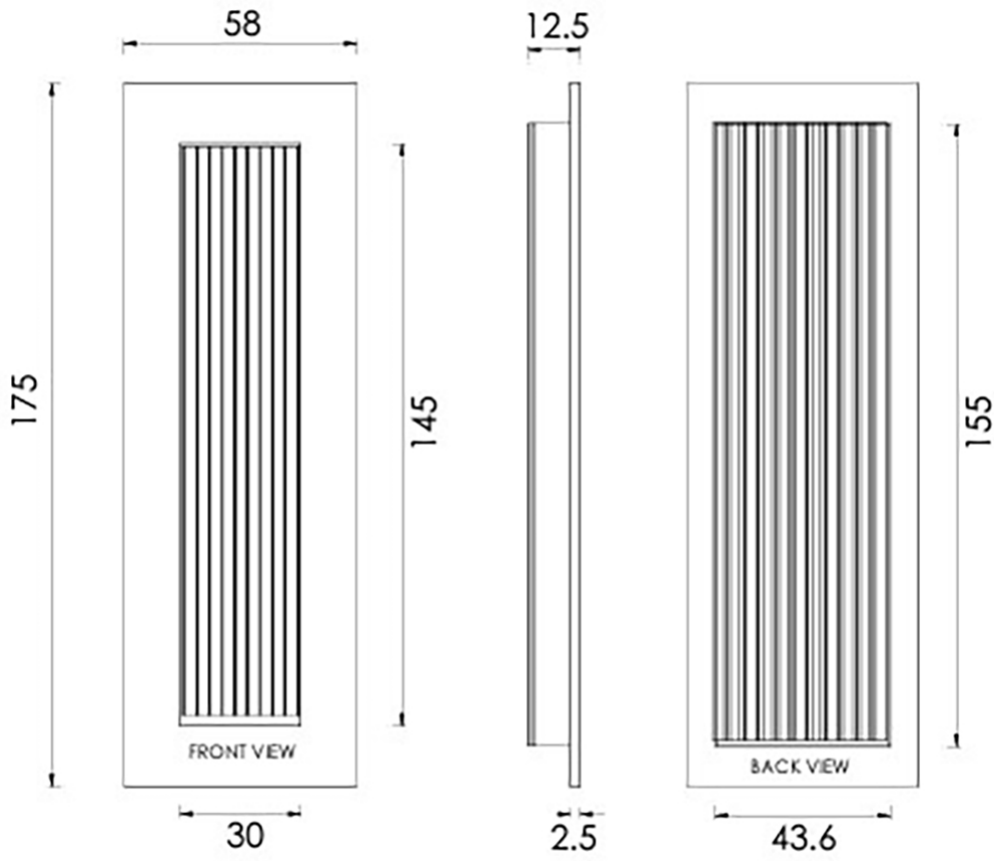
- Polished Chrome

Dimensions

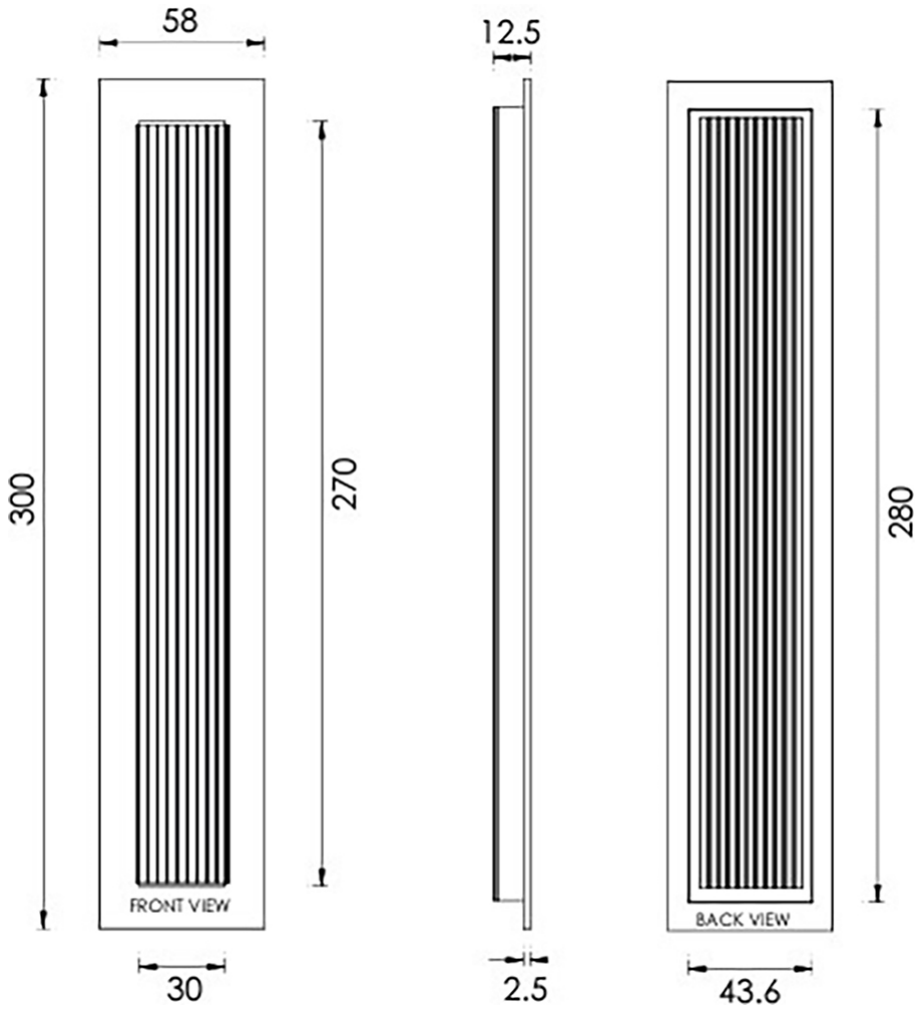
Three Sizes Available



- Overall Size - 105mm x 58mm
- 12.5mm depth



- Overall Size - 175mm x 58mm
- 12.5mm depth



- Overall Size - 300mm x 58mm
- 12.5mm depth

Fixings

- Press fit
- A small hole on the inside edge to allow a small nail for a discrete look

Usage

- Suitable for internal use

Unit Of Sale

- These flush pull handles are sold individually - (Each)
- Sold with fixings

Products in this set



49774.1 - Rectangular Reeded Flush Pull Handle For Sliding Pocket Doors - 105mm x 58mm - Polished Chrome - Each



49774.2 - Rectangular Reeded Flush Pull Handle For Sliding Pocket Doors - 175mm x 58mm - Polished Chrome - Each



49774.3 - Rectangular Reeded Flush Pull Handle For Sliding Pocket Doors - 300mm x 58mm - Polished Chrome - Each