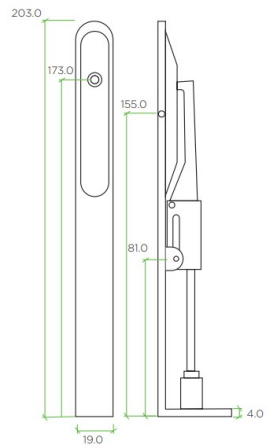


Lever Action Flush Bolt - Radius Pattern - Suitable For Use On FD30 / FD60 Fire Doors - PVD Satin Bronze

Product Images



Description

- Lever action radius flush bolts for double doors
- Designed to be fitted into the leading edge of the slave door.
- Suitable for use on FD30 / FD60 fire rated doors, when used in conjunction with the **(41667)** intumescent kit.

Base Material

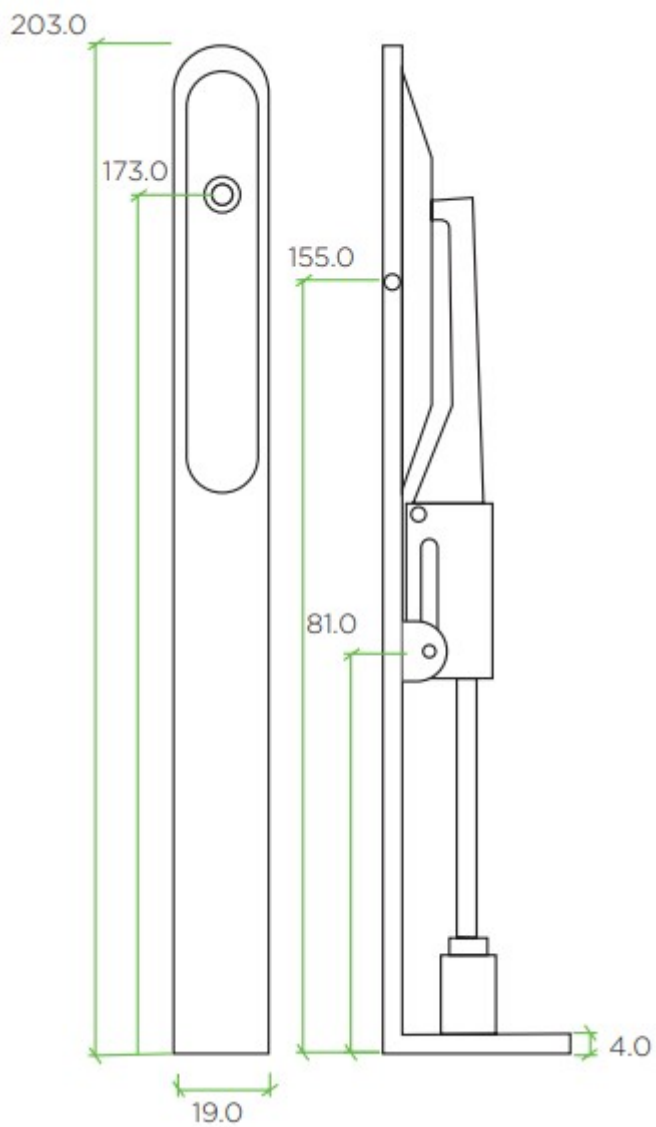
- Solid brass

Finish

- PVD Satin Bronze

Dimensions

- 203mm x 19mm



Unit Of Sale

- Sold individually - each

Products in this set



49777.1 - Lever Action Flush Bolt - Radius Pattern - Tested For Use With FD30 / FD60 Fire Doors -
203mm x 19mm - PVD Satin Bronze - Each