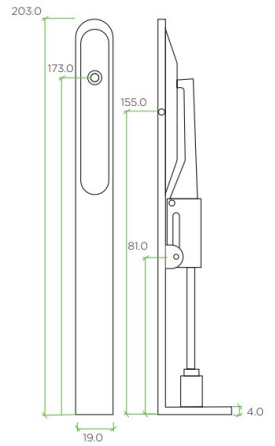

Lever Action Flush Bolt - Radius Pattern - Suitable For Use On FD30 / FD60 Fire Doors - Matt White

Product Images



Description

- Lever action radius flush bolts for double doors
- Designed to be fitted into the leading edge of the slave door.
- Suitable for use on FD30 / FD60 fire rated doors, when used in conjunction with the **(41667)** intumescent kit.

Base Material

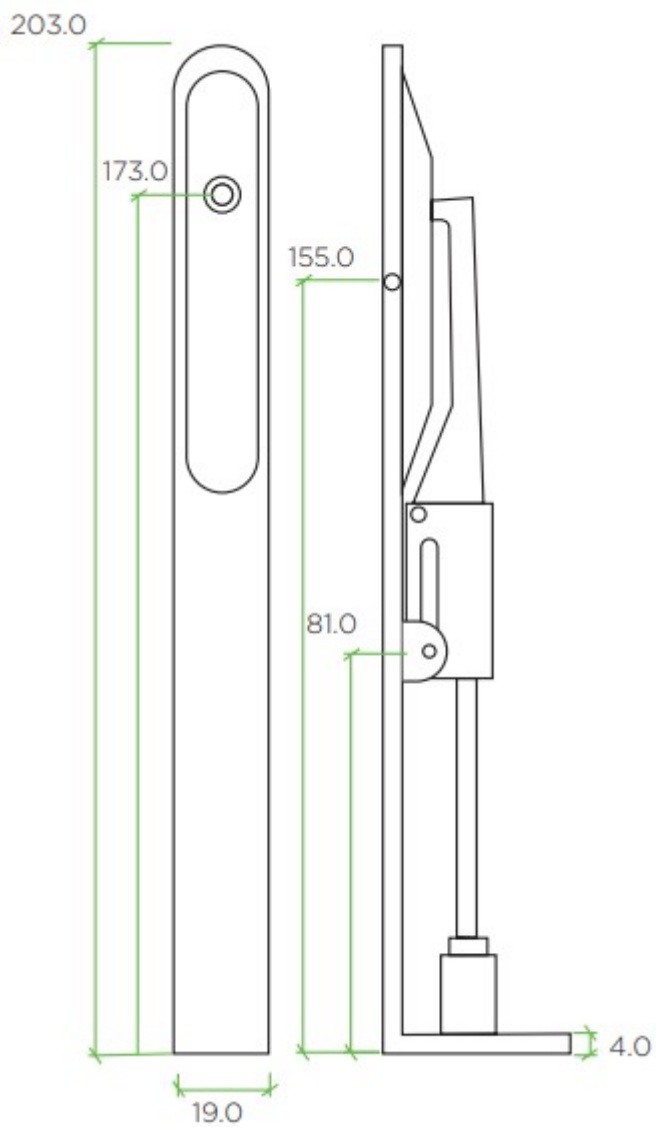
- Solid brass

Finish

- Matt White

Dimensions

- 203mm x 19mm



Unit Of Sale

- Sold individually - each

Products in this set



49778.1 - Lever Action Flush Bolt - Radius Pattern - 203mm x 19mm - Suitable For Use On FD30 / FD60
Fire Doors - Matt White - Each