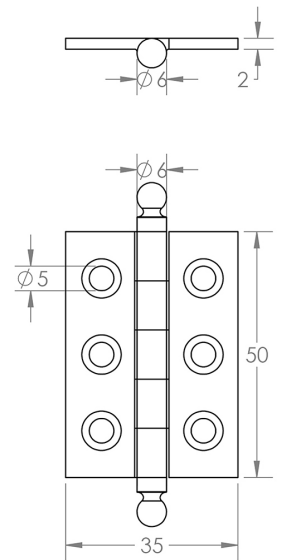


Small Finial Hinge - 50mm x 35mm - Satin Brass (Lacquered)

Product Images



Description

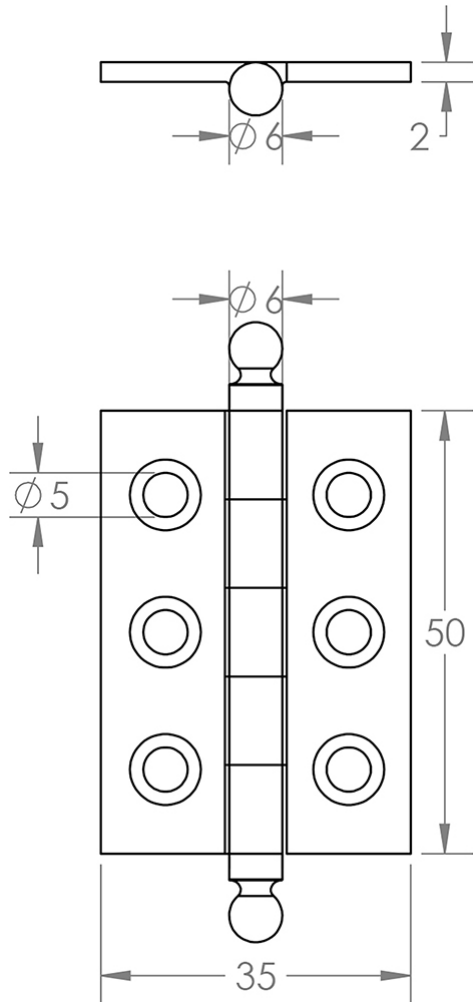
- Cabinet style hinges suitable for cupboard doors

Finish

- Satin Brass

Dimensions

- 50mm x 35mm x 2mm



Important Info Before You Buy

- Suitable for wooden doors
- Base material is brass
- Hinges are sold and priced in pairs and come supplied with screws

Products in this set



49961.1 - Small Finial Hinge - 50mm x 35mm - Satin Brass (Lacquered) - Pair - (2 Hinges)