
Flush Fitting Rectangular Ring Pull - Available In Two Sizes - Matt Bronze (Lacquered)

Product Images



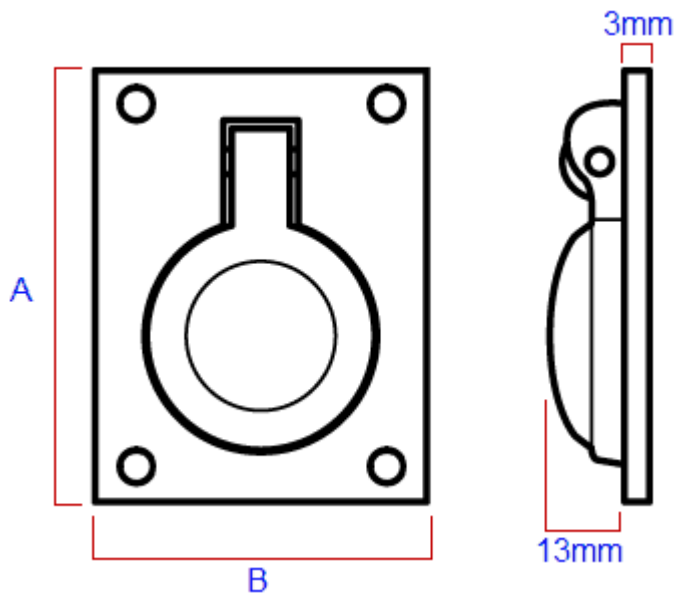
Description

- Flush fitting, inset handle with pull out ring pull
- Ideal for use on bi-folding doors, cupboards, kitchen cabinet doors, wardrobes and trapdoors and sliding doors

- Ring sits flush within the rectangular backplate when not in use. The ring can then be pulled out from the plate to allow you to open your door
- This item has to be morticed (cut) into the door to allow it to sit fit flush

Size Details

- Available In Two Sizes



Item Code	Height (A)	Width (B)	Depth	Backplate Thickness
50023.1	50mm	38mm	13mm	3mm
50023.2	63mm	50mm	13mm	3mm

Base Material

- Made from solid brass

Finish Details

- Matt Bronze

Fixings

- This handle is fitted via 4 x countersunk wood screws through the face of the backplate
- Matching screws are supplied with this item

Usage

- Suitable for internal or external use
- To fit this handle completely flush a minimum door thickness of 18mm is required

Unit Of Sale

- This item is sold individually - (Each)

Products in this set



50023.1 - Flush Fitting Rectangular Ring Pull - 38mm x 50mm - Matt Bronze (Lacquered) - Each



50023.2 - Flush Fitting Rectangular Ring Pull - 50mm x 63mm - Matt Bronze (Lacquered) - Each