

---

## Flush Fitting Rectangular Ring Pull - Available In Two Sizes - Satin Nickel

### Product Images

---



### Description

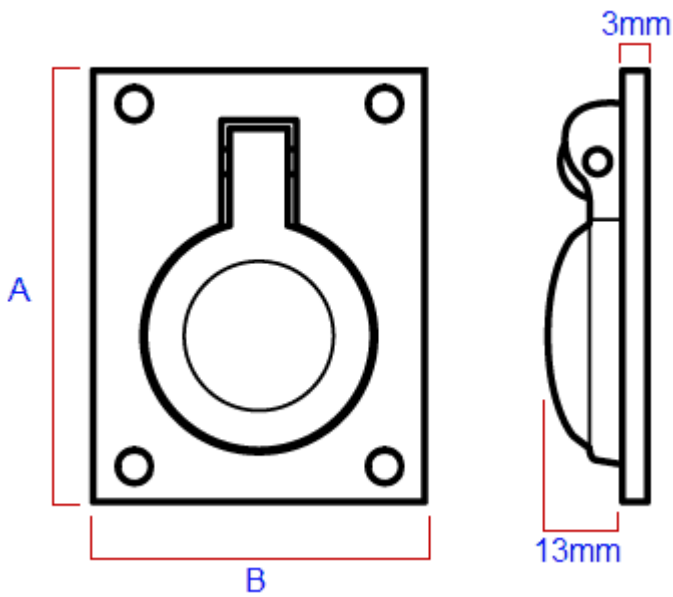
---

- Flush fitting, inset handle with pull out ring pull
- Ideal for use on bi-folding doors, cupboards, kitchen cabinet doors, wardrobes and trapdoors and sliding doors

- Ring sits flush within the rectangular backplate when not in use. The ring can then be pulled out from the plate to allow you to open your door
- This item has to be morticed (cut) into the door to allow it to sit fit flush

## Size Details

- Available In Two Sizes



Item Code	Height (A)	Width (B)	Depth	Backplate Thickness
50128.1	50mm	38mm	13mm	3mm
50128.2	63mm	50mm	13mm	3mm

## Base Material

- Made from solid brass

## Finish Details

- Satin Nickel

## Fixings

- This handle is fitted via 4 x countersunk wood screws through the face of the backplate
- Matching screws are supplied with this item

## Usage

- Suitable for internal or external use
- To fit this handle completely flush a minimum door thickness of 18mm is required

## Unit Of Sale

- This item is sold individually - (Each)

## Products in this set

---



50128.1 - Flush Fitting Rectangular Ring Pull - 38mm x 50mm - Satin Nickel - Each



50128.2 - Flush Fitting Rectangular Ring Pull - 50mm x 63mm - Satin Nickel - Each