
Cranked Locking Espagnolette Handle - Window Fastener - Left & Right Hand - Overall Height 135mm - Polished Chrome

Product Images



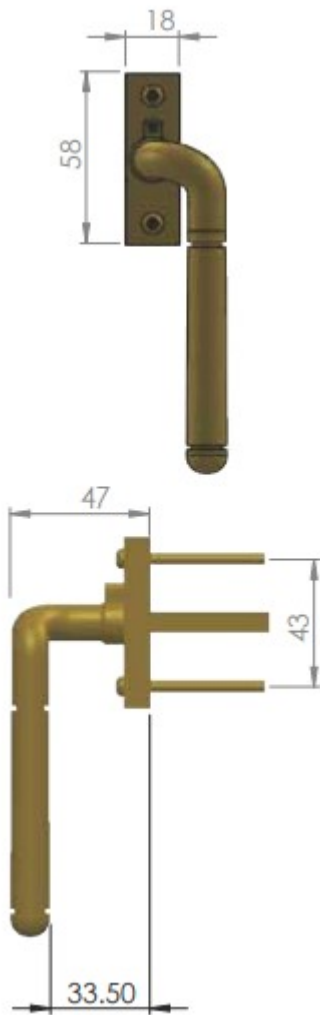
Description

- Cranked Locking Espagnolette Handle
- Left & Right handed

Finish

- Polished Chrome

Dimensions



Important Info Before You Buy

- Suitable for wooden windows
- Comes supplied with fixing screws

Products in this set



50624.1 - Cranked Locking Espagnolette Handle - Window Fastener - Left Hand - Overall Height 135mm - Polished Chrome - Each



50624.2 - Cranked Locking Espagnolette Handle - Window Fastener - Right Hand - Overall Height 135mm - Polished Chrome - Each