

---

## Reeded Design - Casement Window Stay - Two Sizes Available - Antique Brass (Gloss Lacquered)

### Product Images

---



### Description

---

- Reeded design traditional style casement window stay.
- A casement stay is the handle or arm that fixes to the bottom of the window to help push the window open and pull the window closed.
- The casement arm sits on pins which makes the window "stay" in position when in the open or closed position.

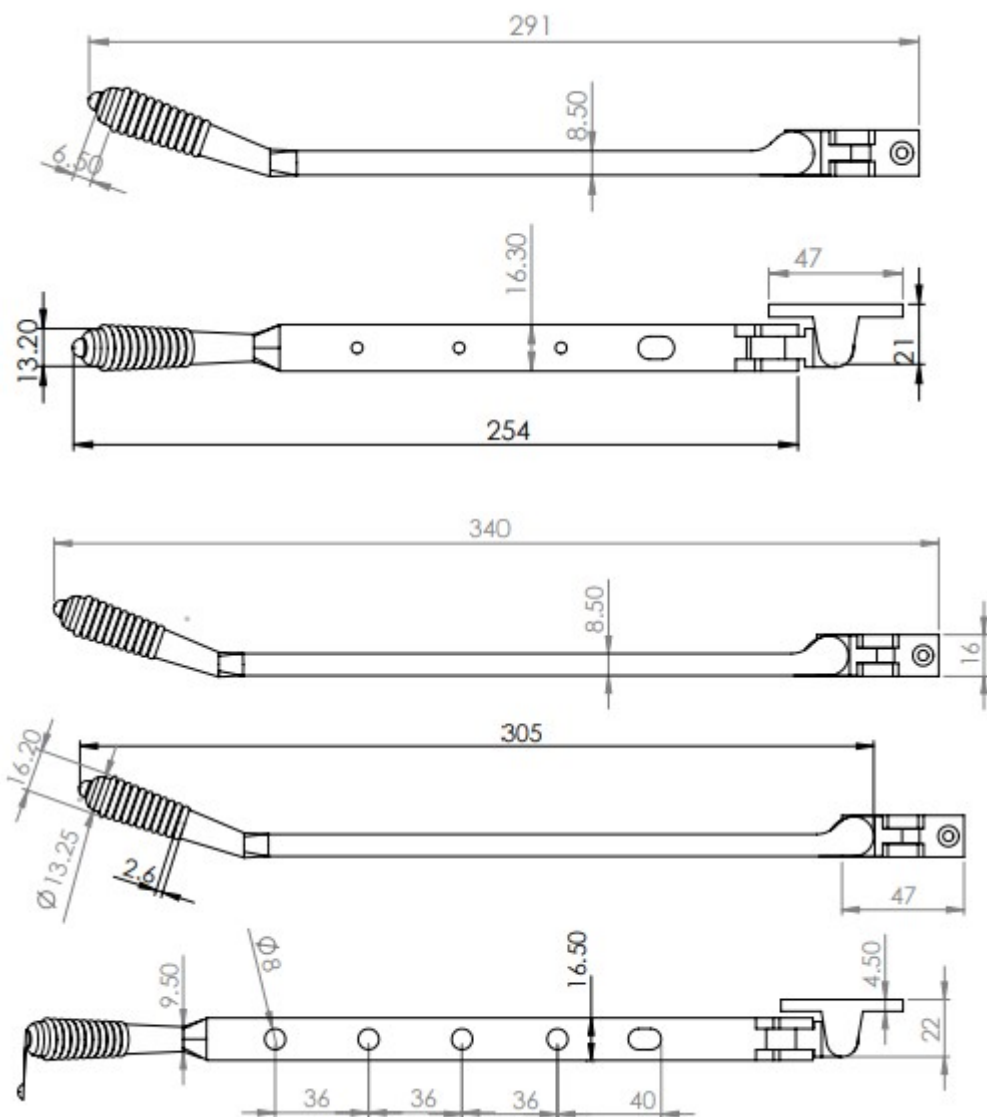
### Base Material

- Brass

## Finish

- Antique Brass (Gloss Lacquered)

## Dimensions



Available in 2 lengths

- 254mm - (10 inches)
- 305mm - (12 inches)

## Important Info Before You Buy

- Suitable for use on timber windows.
- Suits standard outward opening casement windows.
- Comes supplied with fixing screws and pins.
- Matching window fastener also available

## Products in this set

---



50676.1 - Reeded Design - Casement Window Stay - 254mm (10 Inches) - Antique Brass (Gloss Lacquered) - Each



50676.2 - Reeded Design - Casement Window Stay - 306mm (12 Inches) - Antique Brass (Gloss Lacquered) - Each