
Reeded Design - Casement Window Stay - Two Sizes Available - Matt Bronze (Lacquered)

Product Images



Description

- Reeded design traditional style casement window stay.
- A casement stay is the handle or arm that fixes to the bottom of the window to help push the window open and pull the window closed.
- The casement arm sits on pins which makes the window "stay" in position when in the open or closed position.

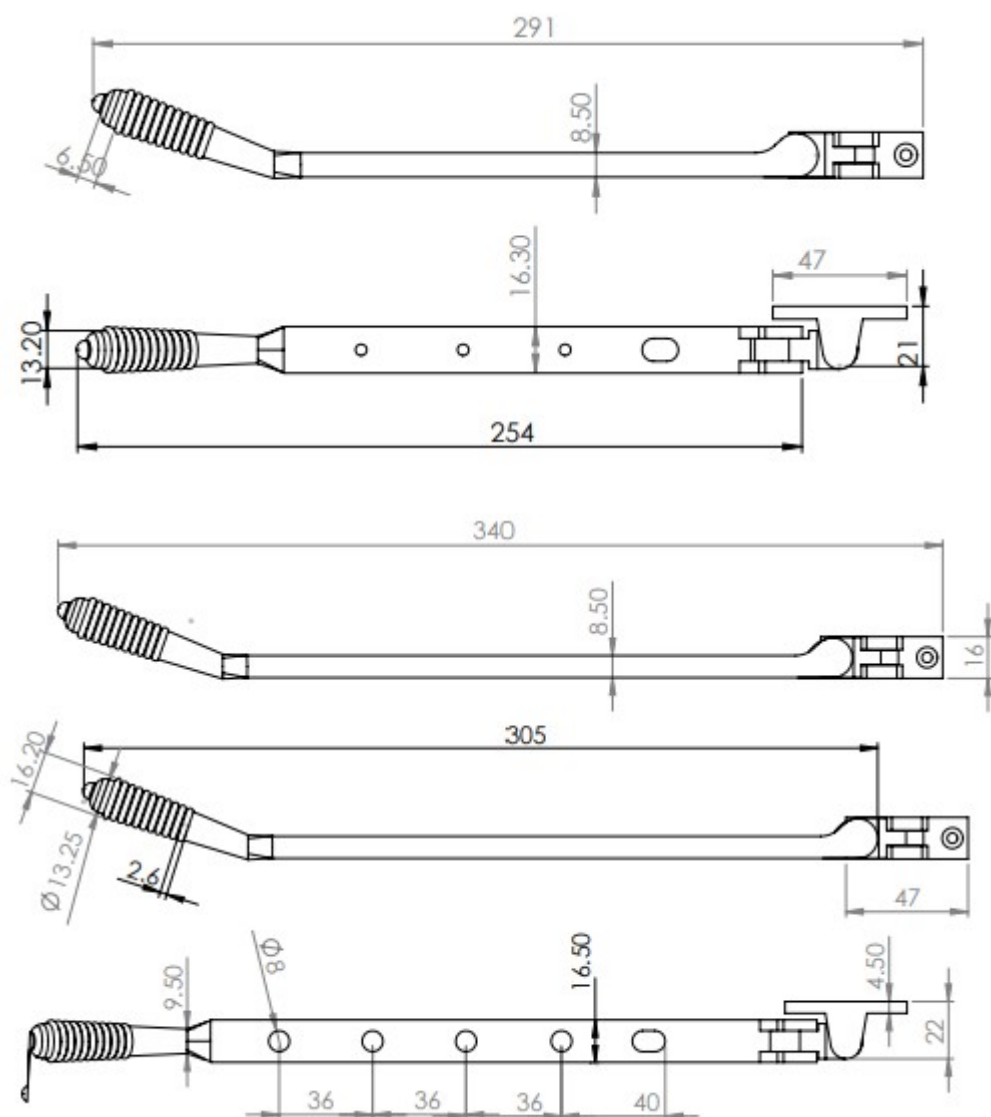
Base Material

- Brass

Finish

- Matt Bronze (Lacquered)

Dimensions



Available in 2 lengths

- 254mm - (10 inches)
- 305mm - (12 inches)

Important Info Before You Buy

- Suitable for use on timber windows.
- Suits standard outward opening casement windows.
- Comes supplied with fixing screws and pins.
- Matching window fastener also available

Products in this set



50677.1 - Reeded Design - Casement Window Stay - 254mm (10 Inches) - Matt Bronze (Lacquered) - Each



50677.2 - Reeded Design - Casement Window Stay - 306mm (12 Inches) - Matt Bronze (Lacquered) - Each