

---

## Bulb End Design - Casement Window Stay - Three Sizes Available - Polished Brass Unlacquered

### Product Images

---



### Description

---

- Bulb end pattern traditional style casement window stay.
- A casement stay is the handle or arm that fixes to the bottom of the window to help push the window open and pull the window closed.
- The casement arm sits on pins which makes the window "stay" in position when in the open or closed position.

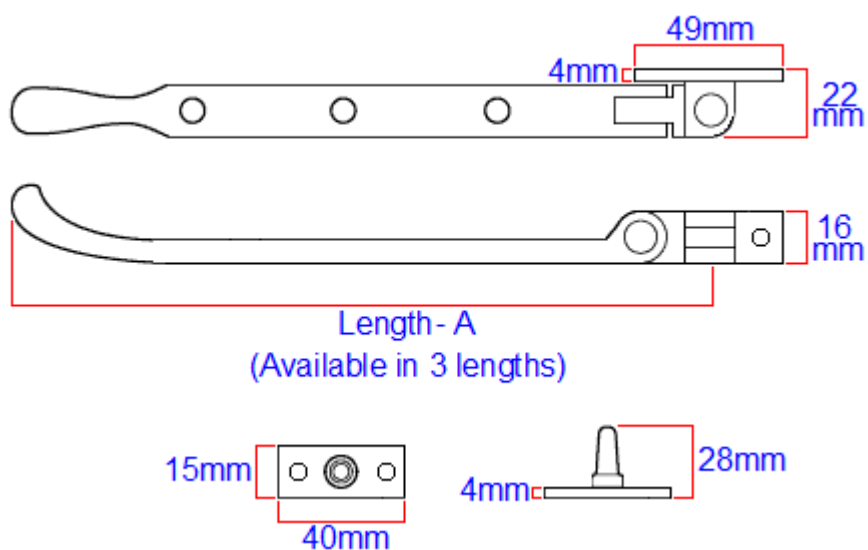
### Base Material

- Brass.

## Finish

- Polished Brass Unlacquered

## Dimensions



Available in three lengths - (size **A** on above diagram).

- 202mm - (8 inches)
- 254mm - (10 inches)
- 305mm - (12 inches)

## Important Info Before You Buy

- Suitable for use on timber windows.
- Suits standard outward opening casement windows.
- Comes supplied with fixing screws and pins.
- Matching window fastener also available

## Products in this set



50685.1 - Bulb End Design - Casement Window Stay - 202mm (8 Inches) - Polished Brass Unlacquered



50685.2 - Bulb End Design - Casement Window Stay - 254mm (10 Inches) - Polished Brass Unlacquered



50685.3 - Bulb End Design - Casement Window Stay - 306mm (12 Inches) - Polished Brass Unlacquered