

---

## Sash Stops - Sliding Sash Windows Locks - Matt Bronze (Lacquered)

### Product Images

---



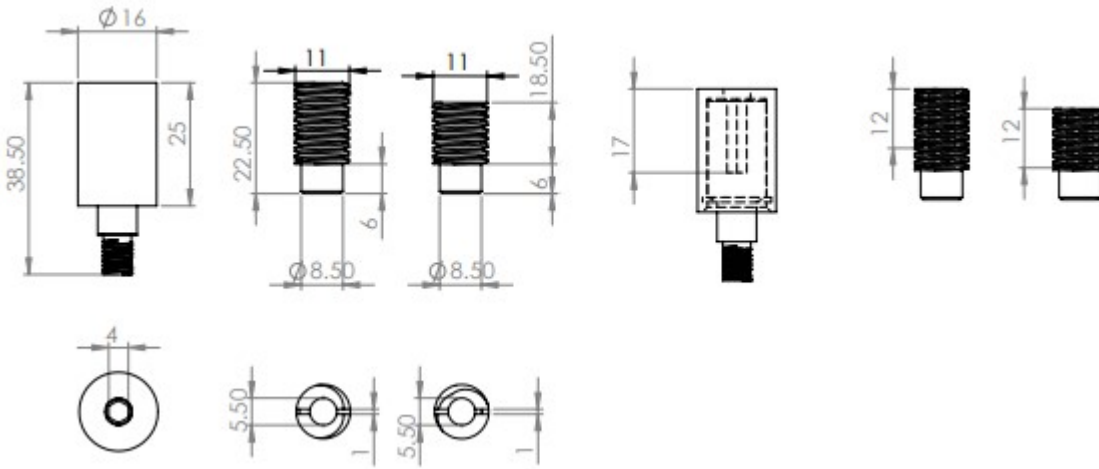
### Description

---

- Sliding sash window stop locks
- Pack of two stops supplied with four inserts
- Key sold separately - 40809
- Ideal for meeting insurance requirements for locking sliding sash windows
- Two inserts provided per stop allows the sash window to be locked in the closed or in the open position

- The threaded stops are screwed into inserts located in the top sash by use of key, this prevents ("stops") the sashes passing each other, hence the window is locked and can not be opened
- The sash stops can only be locked and unlocked via the use of the 40809 - sold separately

## Size Details



## Base Material

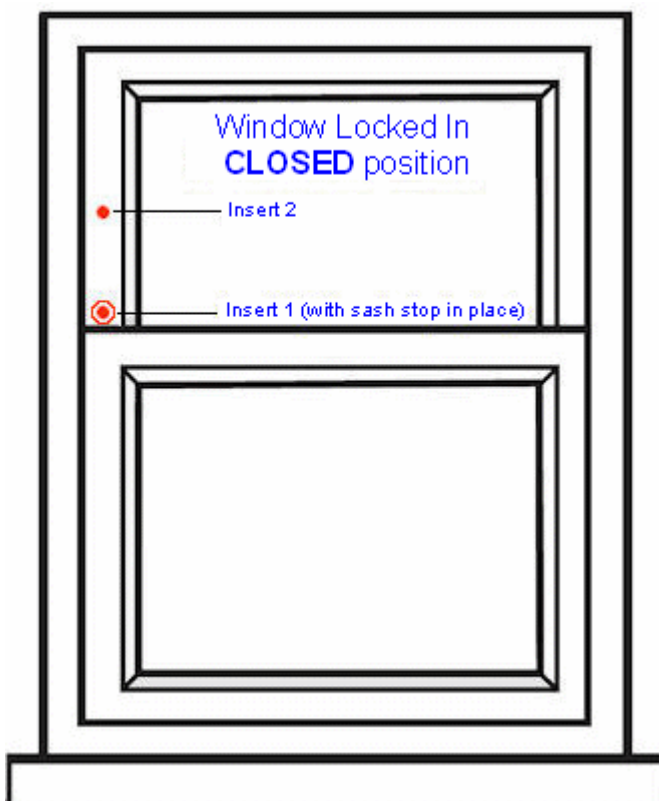
- Made from solid brass

## Finish Details

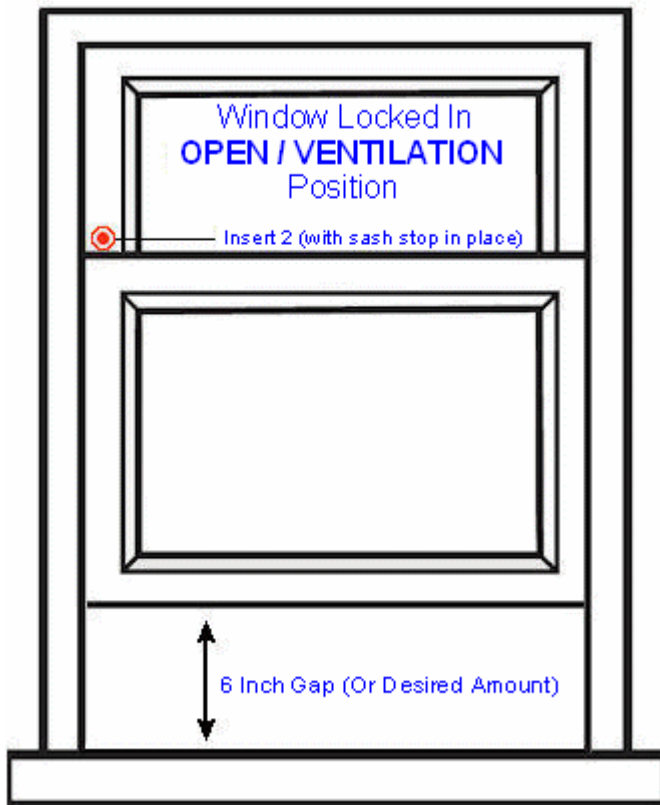
- Matt Bronze (Lacquered)

## Fixings

- Each stop comes supplied with two inserts to screw into.
- Sash window can be locked in the closed position by screwing the sash stop into insert 1 (see below diagram)



- The sliding sash window can be locked in the open position for ventilation, by screwing the sash stop into insert 2 (see below diagram)



## Usage

- Suitable for use with wooden sliding sash windows.
- The inserts are fitted into the side rail of the top sash

## Unit Of Sale

- Sold per pair - (A pair includes 2 x sash stops 4 x inserts)
- Keys sold separately - 40809

## Products in this set



50694.1 - 16mm Sash Stops - Sash Stops - Sliding Sash Windows Locks - Matt Bronze (Lacquered) - Pack Of 2