
Sash Stops - Sliding Sash Windows Locks - Polished Nickel

Product Images

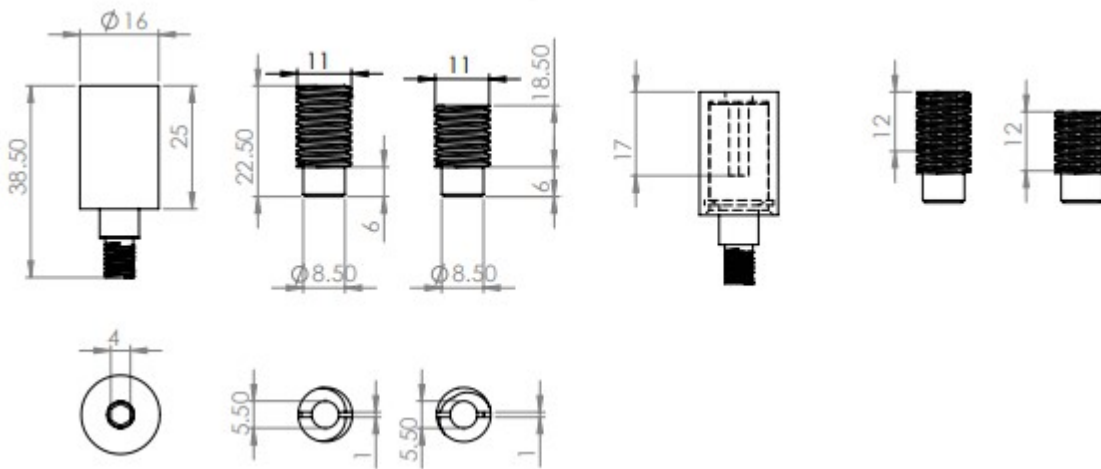


Description

- Sliding sash window stop locks
- Pack of two stops supplied with four inserts
- Key sold separately - 40809
- Ideal for meeting insurance requirements for locking sliding sash windows
- Two inserts provided per stop allows the sash window to be locked in the closed or in the open position

- The threaded stops are screwed into inserts located in the top sash by use of key, this prevents ("stops") the sashes passing each other, hence the window is locked and can not be opened
- The sash stops can only be locked and unlocked via the use of the 40809 - sold separately

Size Details



Base Material

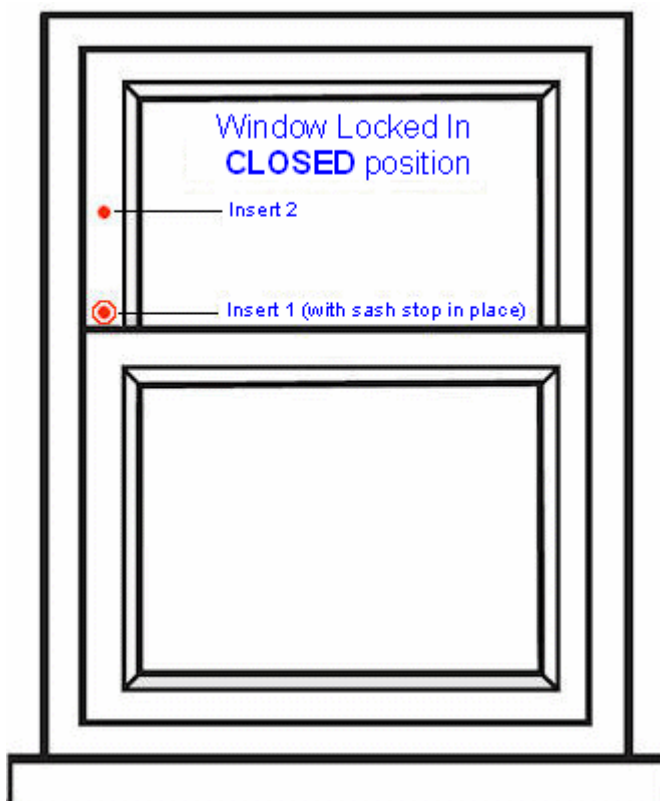
- Made from solid brass

Finish Details

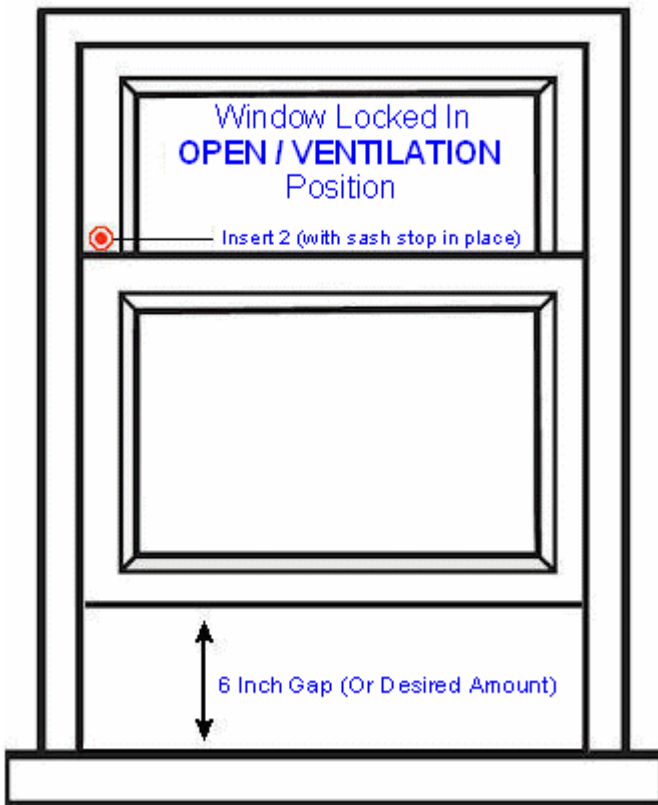
- Polished Nickel

Fixings

- Each stop comes supplied with two inserts to screw into.
- Sash window can be locked in the closed position by screwing the sash stop into insert 1 (see below diagram)



- The sliding sash window can be locked in the open position for ventilation, by screwing the sash stop into insert 2 (see below diagram)



Usage

- Suitable for use with wooden sliding sash windows.
- The inserts are fitted into the side rail of the top sash

Unit Of Sale

- Sold per pair - (A pair includes 2 x sash stops 4 x inserts)
- Keys sold separately - 40809

Products in this set



50695.1 - 16mm Sash Stops - Sash Stops - Sliding Sash Windows Locks - Polished Nickel - Pack Of 2