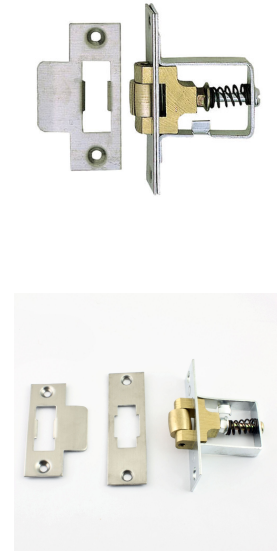


Heavy Duty Adjustable Roller Ball Catch - Satin Stainless Steel With Brass Wheel

Product Images



Description

- Adjustable heavy duty roller ball catch.
- Brushed stainless steel.
- Suitable for use cupboard doors and standard internal door (minimum thickness door 30mm).
- Ideal for doors that do not need to be "latched closed" the roller catch allows the door to be opened by simply pulling or pushing the door.
- Fire tested for use on FD30 fire doors, **please double check test evidence for the fire door to see if a roller catch is approved for use.**

Finish

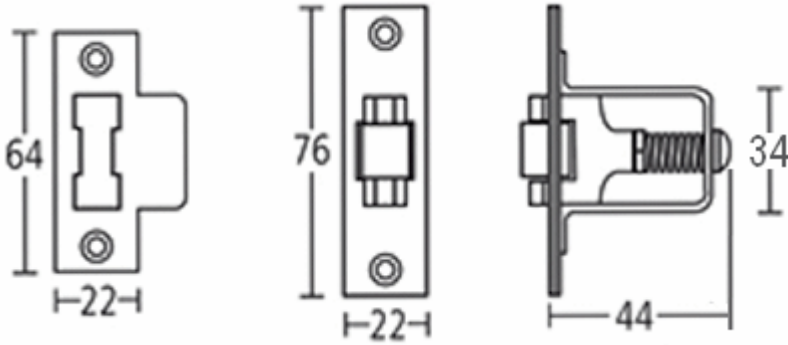
- Satin stainless steel forend and strike plates.

- Brass roller ball.

Alternative Finishes Available

- Polished stainless steel.
- Brass.

Dimensions



- Body - 44mm x 34mm body.
- Forend - 76mm x 22mm.
- Strike plate - 64mm x 22mm.

Products in this set



20529.1 - Adjustable Heavy Duty Roller Bolt Catch - Satin Stainless Steel - Each