
EPS - TS007 1 Star Rated - Euro Profile Cylinder - Single (Half) - Supplied With 3 Keys - Three Sizes Available - Satin Nickel

Product Images



Description

- High security 6 pin Euro profile half (single) cylinders that are BS Kitemarked (KM585549) to TS 007:2012 rated to 1 star.
- Designed for use on external doors including timber and uPVC front and back doors. This range of high security cylinders are designed to help stop against snapping techniques used by burglars.
- These half (single) cylinders are ideal for use on internal cupboard doors where the door only needs to be locked from the outside.
- Commonly used with Euro profile mortice night latches and outside access devices (OAD's).

- Euro cylinders are the "barrels" that go through the middle of a door, commonly found on uPVC front doors.
- Excellent high level security range with a high quality architectural finish.
- Police preferred specification - Secured By Design (SBD) approved.
- Tested to BS EN 1303 - Security grade 2
- Ideal for use on internal or external doors including front doors.
- Supplied with 3 specially manufactured, hard wearing silver nickel keys as standard.

Operation

- Single (half) cylinder - key operation from the outside side of the door only.
- The door can be locked and un-locked by turning the key from the outside only (with single cylinders there is no facility to lock a door from the inside).
- Key differed - if ordering more than one, the cylinders will come with different keys.
- Suitable for use on wooden, UPVC and metal doors.
- Must be used in conjunction with some form of Euro profile mortice lock or multi-point locking system (sold separately).

Security Level

- Excellent high level security with 6 pins and anti-snap body.
- Tested to BS EN 1303 - Grade 2.
- BS rated - meets the new Technical standard - TS 007:2012 - 1 star rated.
- BS Kitemarked number - KM 585549.
- Police preferred specification - Secured By Design (SBD) approved.

Anti-snap design with the following features

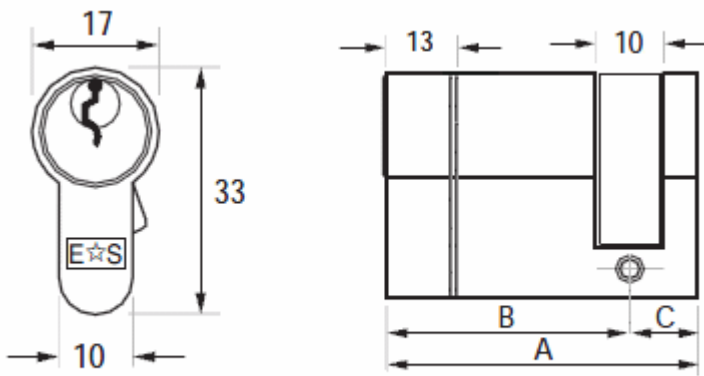
- Snap off front section via (sacrificial cut). If an attempt is made to snap the cylinder, it will break in a pre-designed position which helps prevent burglars from manipulating the cam in the middle of the cylinder.
- 6 Hardened steel Anti-Drill pins, plugs and disc.
- Anti-plug pull feature.
- Anti-twist.
- Anti-pick.
- Anti-bump.
- Suitable for use on internal or external doors including front doors where a high level of security is required.

Finish

- Satin Nickel

Dimensions

- Equal cylinders (each side of the cam is the same size.)



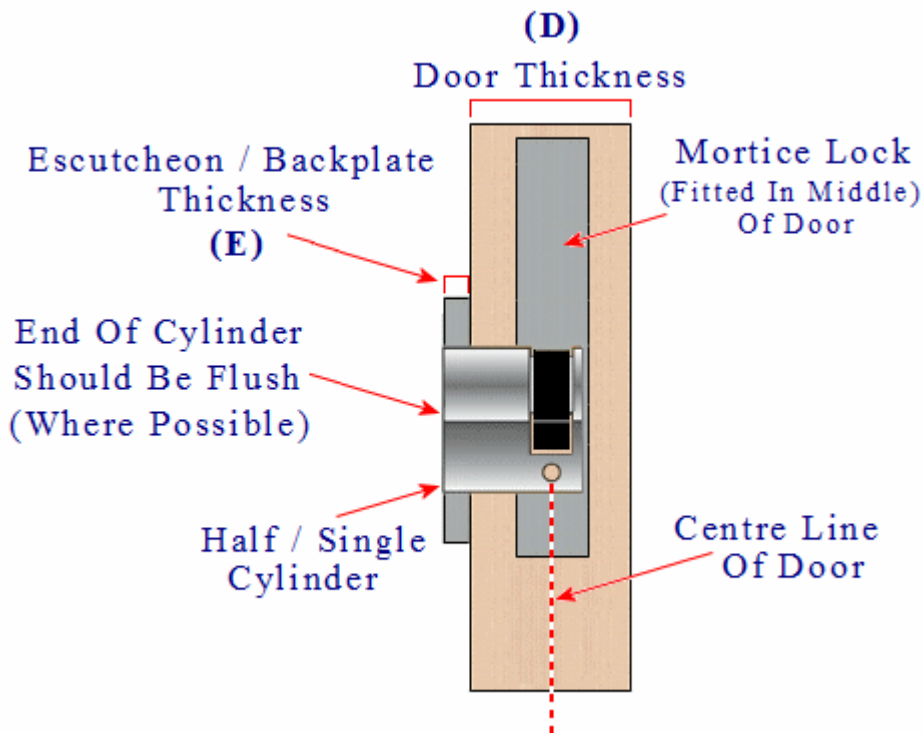
All measurements in mm

Equal cylinders for use with timber doors or doors with a mortice lock fitted in the middle of the door.

Item Code Overall Length (A) External Side (B) Internal Side (C)

50947.1	41mm	32mm	9mm
50947.2	46mm	37mm	9mm
50947.3	51mm	42mm	9mm

- To determine out the length of cylinder you require you need to add together
 - The thickness of the door. (D) on the below diagram.
 - Plus the thickness of the escutcheon / backplate on each side of the door. (E) on the diagram below.



- For security reasons it's best where possible to have the Euro cylinder finish flush (flat) with the edge of the escutcheon or backplates of the handles fitted to the door.
- Cylinders that stick out past escutcheons and backplates of handles are much more vulnerable to attack as they can more easily be hammered, twisted or cut during an attack.

Standards This Product Conforms To

- The Euro profile cylinders have been included on a successful fire test to BS EN1634: Part 1 2000 - Assessed for use on 30 minute and 1 hour fire doors FD30 / FD60.
- Police preferred specification - Secured By Design (SBD) approved.
- Tested to BS EN 1303 the British / European standard requirements and testing methods covering cylinders for locks. This cylinder range has been tested to cylinder security grade 2.
- Tested to the Technical standard TS 007:2012 rated to 1 star.
- 3 star rating possible when used in conjunction with 2 star rated furniture.

Options Available To Order

- **Keyed Alike (KA)** - A batch of cylinders all under the same one key.
- **Under Master Key (UMK)** - A batch of cylinders all under different keys with one master key which operates any of the cylinders.
- Please contact us for more information and lead times and prices for the above options.

Unit Of Sale

- Each - (1x cylinder with 3x keys and 1x fixing screw.)

Products in this set



50947.1 - EPS - TS007 1 Star Rated - Euro Profile Cylinder - Single (Half) - Supplied With 3 Keys - 41mm (32mm x 9mm) - Satin Nickel - Each



50947.2 - EPS - TS007 1 Star Rated - Euro Profile Cylinder - Single (Half) - Supplied With 3 Keys - 46mm (37mm x 9mm) - Satin Nickel - Each



50947.3 - EPS - TS007 1 Star Rated - Euro Profile Cylinder - Single (Half) - Supplied With 3 Keys - 51mm (42mm x 9mm) - Satin Nickel - Each