
EPS - TS007 1 Star Rated - Euro Profile Cylinder & Turn (Key / Turn) - Supplied With 3 Keys - Three Sizes Available - Satin Nickel

Product Images



Description

- High security 6 pin Euro profile cylinders that are BS Kitemarked (KM585549) to TS 007:2012 rated to 1 star.
- Designed for use on external doors including timber and uPVC front and back doors. This range of high security cylinders are designed to help stop against snapping techniques used by burglars.
- Key operation from one side of the door and thumbturn operation from the other (Key / Turn).
- Euro cylinders are the "barrels" that go through the middle of a door, commonly found on uPVC front doors.

- Key / Turn knob cylinders are Ideal for use on internal doors where a room or area is required to be key locked from the outside for security, but requires the facility to be able to unlock the door in case of an emergency via the internal thumb turn knob.
- Ideal for use in bedrooms and office rooms or any room where the might need to be unlocked quickly without the use of a key.
- Excellent high level security range with a high quality architectural finish.
- Police preferred specification - Secured By Design (SBD) approved.
- Tested to BS EN 1303 - Security grade 2
- Ideal for use on internal or external doors including front doors.
- Supplied with 3 specially manufactured, hard wearing silver nickel keys as standard.

Operation

- Double cylinder - key operation from outside side (secure side) and thumb turn operation from the inside of the door (non secure side).
- The door can be locked and un-locked by turning the thumb turn knob from the inside or via key on the outside.
- Key differed - if ordering more than one, the cylinders will come with different keys.
- Suitable for use on wooden, UPVC and metal doors.
- Must be used in conjunction with some form of Euro profile mortice lock or multi-point locking system (sold separately).

Security Level

- Excellent high level security with 6 pins and anti-snap body.
- Tested to BS EN 1303 - Grade 2.
- BS rated - meets the new British standard - TS 007:2012 - 1 star rated.
- BS Kitemarked number - KM 585549.
- Police preferred specification - Secured By Design (SBD) approved.

Anti-snap design with the following features

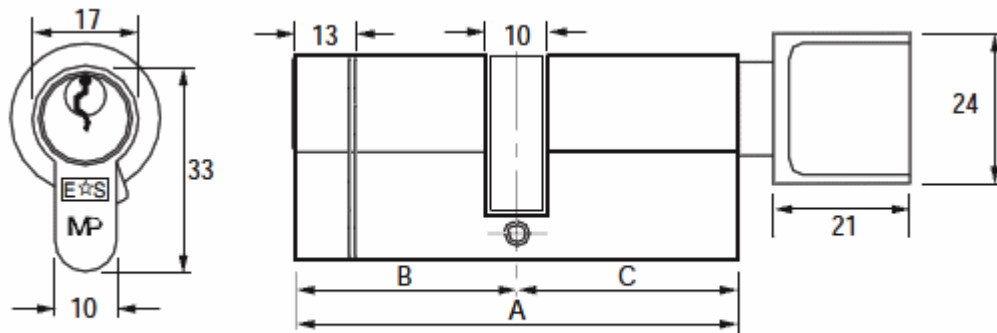
- Snap off front section via (sacrificial cut). If an attempt is made to snap the cylinder, it will break in a pre-designed position which helps prevent burglars from manipulating the cam in the middle of the cylinder.
- 6 Hardened steel Anti-Drill pins, plugs and disc.
- Anti-plug pull feature.
- Anti-twist.
- Anti-pick.
- Anti-bump.
- Suitable for use on internal or external doors including front doors where a high level of security is required.
- If fitting a thumb turn cylinder to a front or back door be aware that if a burglar were to break any glass in the door they could in theory reach down to thumb turn and unlock the mortice lock.

Finish

- Satin Nickel

Dimensions

- Equal cylinders (each side of the cam is the same size.)



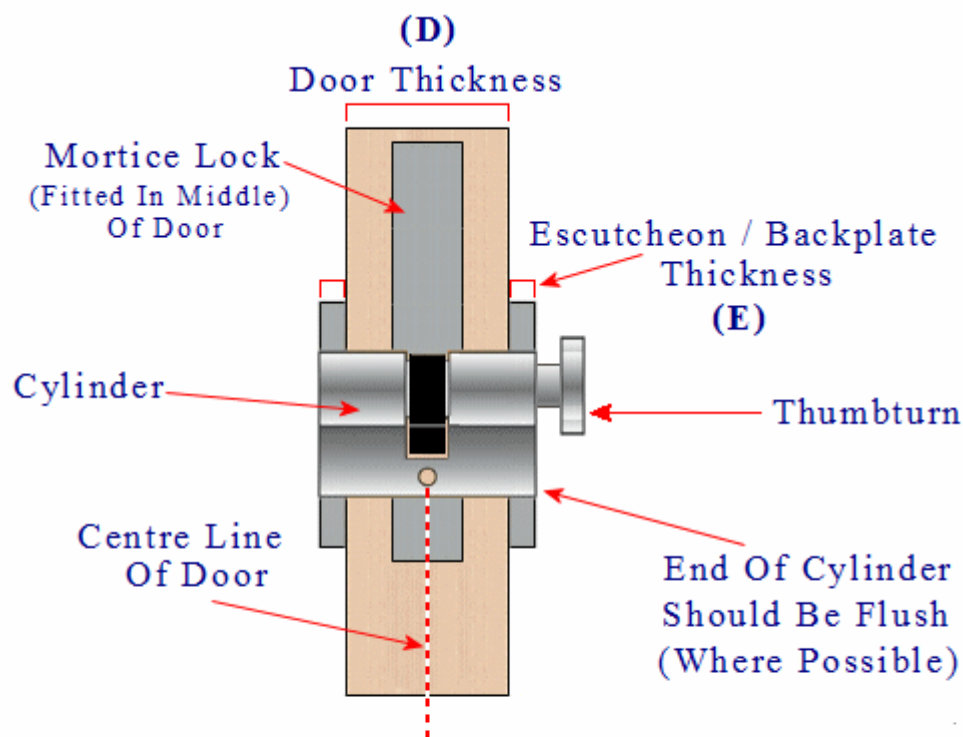
All measurements in mm

Equal cylinders for use with timber doors or doors with a mortice lock fitted in the middle of the door.

Item Code Overall Length (A) External Side (B) Internal Side (C)

Item Code	Overall Length (A)	External Side (B)	Internal Side (C)
50949.1	62mm	31mm	31mm
50949.2	72mm	36mm	36mm
50949.3	82mm	41mm	41mm

- To determine out the length of cylinder you require you need to add together
- - The thickness of the door. (D) on the below diagram.
- - Plus the thickness of the escutcheon / backplate on each side of the door. (E) on the diagram below.



$$\text{Overall Cylinder Length} = D + (Ex2)$$

(Ex 2 as usually this is one escutcheon on each side of the door)

Always check the mortice lock is fitted in the middle of the door if not an offset cylinder is required

- For security reasons it's best where possible to have the Euro cylinder finish flush (flat) with the edge of the escutcheon or backplates of the

handles fitted to the door.

- Cylinders that stick out past escutcheons and backplates of handles are much more vulnerable to attack as they can more easily be hammered, twisted or cut during an attack.

Standards This Product Conforms To

- The Euro profile cylinders have been included on a successful fire test to BS EN1634: Part 1 2000 - Assessed for use on 30 minute and 1 hour fire doors FD30 / FD60.
- Police preferred specification - Secured By Design (SBD) approved.
- Tested to BS EN 1303 the British / European standard requirements and testing methods covering cylinders for locks. This cylinder range has been tested to cylinder security grade 2.
- Tested to the Technical standard TS 007:2012 rated to 1 star.
- 3 star rating possible when used in conjunction with 2 star rated furniture.

Options Available To Order

- **Keyed Alike (KA)** - A batch of cylinders all under the same one key.
- **Under Master Key (UMK)** - A batch of cylinders all under different keys with one master key which operates any of the cylinders.
- Please contact us for more information and lead times and prices for the above options.

Unit Of Sale

- Each - (1x cylinder with 3x keys and 1x fixing screw.)

Products in this set



50949.1 - EPS - TS007 1 Star Rated - Euro Profile Cylinder & Turn (Key / Turn) - Supplied With 3 Keys - 62mm (31mm x 31mm) - Satin Nickel - Each



50949.2 - EPS - TS007 1 Star Rated - Euro Profile Cylinder & Turn (Key / Turn) - Supplied With 3 Keys - 72mm (36mm x 36mm) - Satin Nickel - Each



50949.3 - EPS - TS007 1 Star Rated - Euro Profile Cylinder & Turn (Key / Turn) - Supplied With 3 Keys - 82mm (41mm x 41mm) - Satin Nickel - Each