
Rectangular Design Flush Pull Handle - Tested For Use On FD30 Fire Doors - 100mm x 50mm - Satin Stainless Steel

Product Images

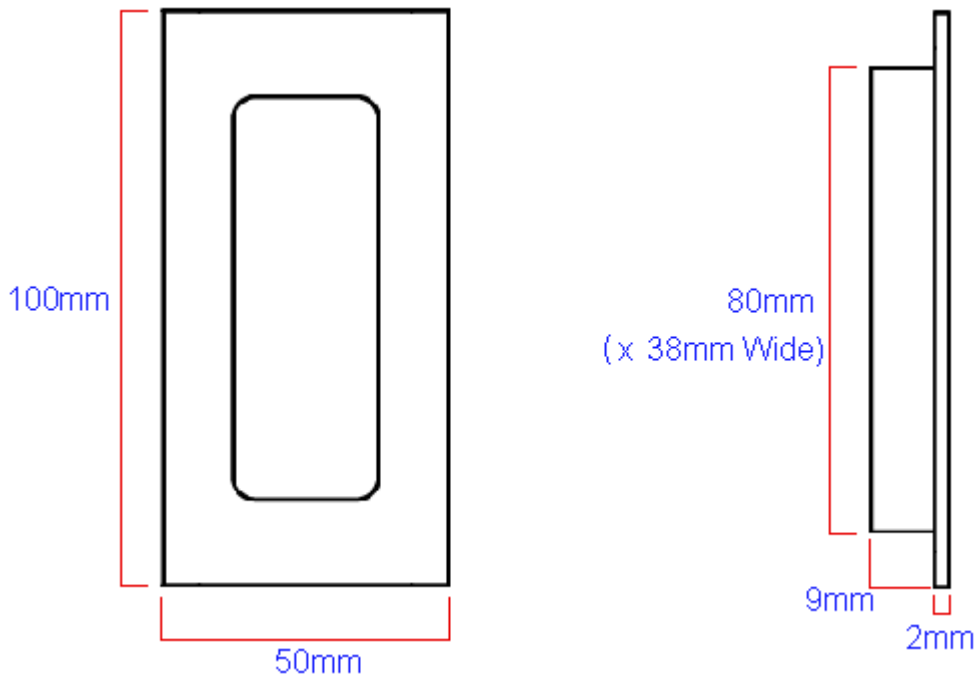


Description

- Contemporary design rectangular shape flush fitting, inset pull handle for sliding doors.
- Made from stainless steel this item is a satin (brushed) finish.
- This item has to be morticed (cut) into the door to allow it to sit fit flush.
- Suitable for use on full height sliding doors, wardrobe doors and cupboard doors.
- Sleek minimal look thanks to discreet fixings. - (This item is fixed via wood screws from inside the recess.)

- Available in one size only - 100mm x 50mm
- Test for use on FD30 timber fire doors (please check test evidence of your fire door for compatibility).

Size Details



| Item Code | Height | Width | Recess Depth | Recess Height | Recess Width | Backplate Thickness |
|-----------|--------|-------|--------------|---------------|--------------|---------------------|
| 20656.1 | 100mm | 50mm | 9mm | 80mm | 38mm | 2mm |

Base Material

- Made from stainless steel.

Finish Details

- Satin stainless steel - a grey colour with very slight golden undertones. The raw stainless steel has been satinised "brushed" to produce visible brush marks in the surface of the item.
- For more information and how to care for this finish please see our [guide to product Finish](#).

Alternative Finishes Available

- Polished stainless steel - (Shiny finish)

Fixings

- This handle is fitted via 2 x wood screws inside the recess of the handle.
- Screws are supplied with this item.

Usage

- Suitable for internal or external use.

[external](#)use.

- To fit this handle completely flush a minimum door thickness of 18mm is required.

Unit Of Sale

- This item is sold individually - (Each)

Products in this set



20656.1 - Rectangular Design Flush Pull Handle - Tested For Use On FD30 Fire Doors - 100mm x 50mm -
Satin Stainless Steel - Each