

---

**Circular Flush Pull Handle With Semi Circle Half Moon Grip - Tested For Use On FD30 Fire Doors -  
Satin Stainless Steel**

**Product Images**

---



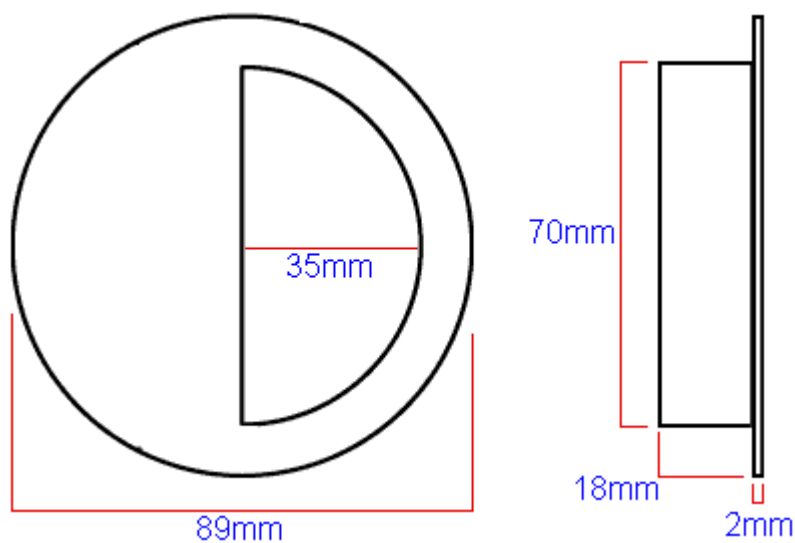
## Description

---

Contemporary design circular shape flush fitting, inset pull handle with half moon grip, ideal for use with sliding doors.

- Made from stainless steel this item is a satin (brushed) finish.
- Available in one size only - 89mm diameter.
- This item has to be morticed (cut) into the door to allow it to sit fit flush.
- Suitable for use on full height sliding doors, wardrobe doors and cupboard doors.
- Sleek minimal look thanks to discreet fixings. - (This item is fixed via wood screws from inside the recess.)
- Test for use on FD30 timber fire doors (please check test evidence of your fire door for compatibility).

## Size Details



Item Code	Diameter	Opening Size	Recess Depth	Recess Diameter	Backplate Thickness
20658.1	89mm	35mm	18mm	70mm	2mm

## Base Material

- Made from stainless steel.

## Finish Details

- Satin stainless steel - a grey colour with very slight golden undertones. The raw stainless steel has been satinised "brushed" to produce visible brush marks in the surface of the item.
- For more information and how to care for this finish please see our [guide to product Finish](#).

## Alternative Finishes Available

- Polished stainless steel - (Shiny finish).

## Fixings

- This handle is fitted via 2 x wood screws inside the recess of the handle.
- Screws are supplied with this item.

## Usage

- Suitable for internal or external use.

- To fit this handle completely flush a minimum door thickness of 18mm is required.

## Unit Of Sale

- This item is sold individually - (Each)

### Products in this set

---



**20658.1 - Circular Flush Pull Handle With Semi Circle Half Moon Grip - Tested For Use On FD30 Fire Doors - 89mm Diameter - Satin Stainless Steel**