

## Sliding Door - Bathroom Claw Lock - Polished Brass (Lacquered)

### Product Images



### Description

- 3 inch (76mm) claw lock

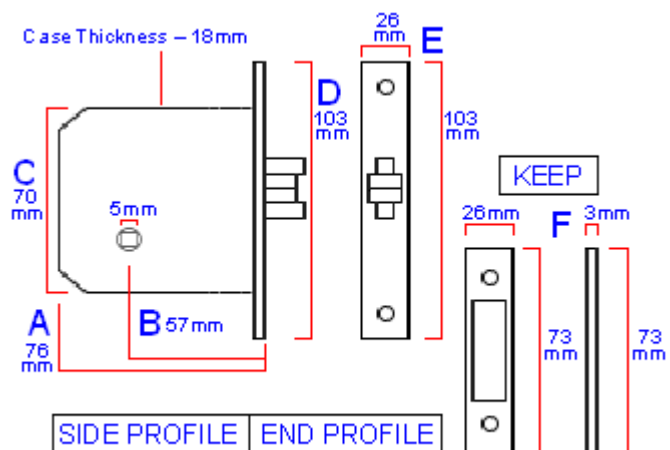
Sliding door mortice bathroom lock

- This lock is designed to be used on bathroom sliding doors that use the Snib turn & emergency release system

## Finish

- Polished brass

## Dimensions



Available in one size


- 20660.1 - 76mm (3 inch)

	20660.1	Dimension On Diagram
<b>Overall Case Depth</b>	76mm	A
<b>Backset (Distance To centre Of Spindle Hole)</b>	57mm	B
<b>Case Height</b>	70mm	C
<b>Forend - Height (H) x Width (W)</b>	103mm x 26mm	E
<b>Receiver Plate - Height (H) x Width (W)</b>	73mm x 26mm	F

## Important Info Before You Buy

- Suits 5mm spindles (standard UK turn and release spindle size)
- This bathroom lock is supplied with strike plate (the receiver plate that goes on the door frame)

## Products in this set



**20660.1 - Sliding Door - Bathroom Claw Lock - Polished Brass - Each**