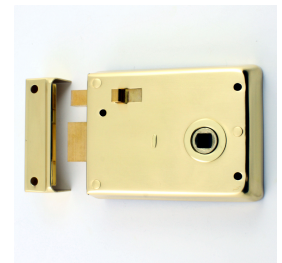
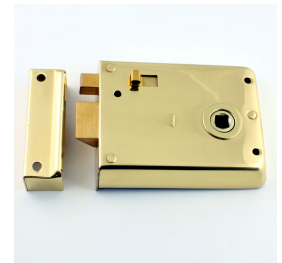

Surface Mounted Rim Latch With Snib Bolt - Polished Brass (Lacquered)

Product Images



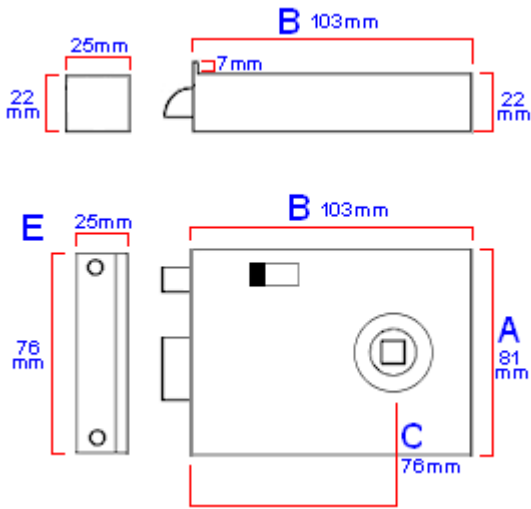
Description

- Traditional style surface mounted rim latch - 4 inches x 3 inches
- This rim lock has a built in latch so must work in conjunction with a set of rim knobs
- This rim latch has a built in snib to lock the door, ideal for use on bathrooms and toilets (note does not have an emergency release from the outside)

Finish

- Polished Brass

Dimensions



	20684.1	Dimension On Diagram
Case Height	81mm	A
Case Width	103mm	B
Case Depth	22mm	
Spindle Backset (Distance To center)	76mm	C
Keep - Height (H) x Width (W)	76mm x 25mm	E

Important Info Before You Buy

- Latch can be reversed to suit left or right handed doors
- The Rim lock is fitted to the side of the door that opens towards you
- Rim locks get surface mounted on to the door
- No need to mortice or chisel into the door like traditional mortice locks
- This rim lock is a low security product
- Comes supplied with, fixing screws and box keep for the door frame

Products in this set

x

20684.1 - Surface Mounted Rim Latch With Snib Bolt - Polished Brass (Lacquered) - Each