
Traditional Design Handrail Bracket - 90mm Projection - Polished Brass (Lacquered)

Product Images



Description

- Traditional design handrail bracket.
- Fixings included.
- Suitable for flat based handrails.

Finish

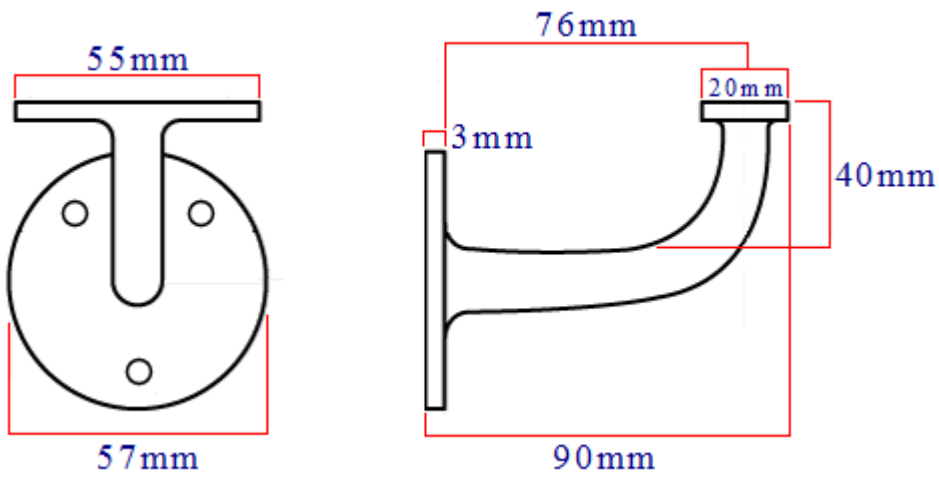
- Polished brass.

Alternative Finishes Available

- Polished chrome.
- Satin chrome.

Dimensions

- Projection - 90mm
- Rose (Backplate) Diameter - 57mm



Products in this set



20783.1 - Traditional Design Handrail Bracket - 90mm Projection - Polished Brass (Lacquered) - Each