

Flush Fitting Rectangular Ring Pull - Available In Two Sizes - Polished Chrome

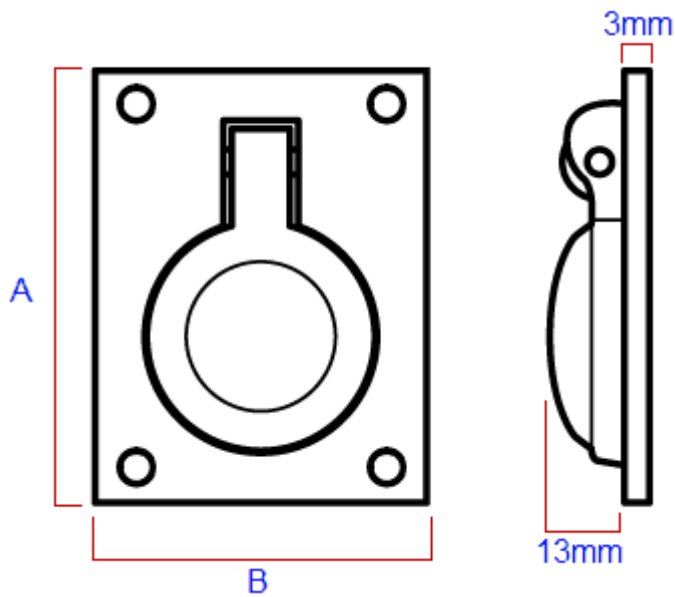
Product Images



Description

- A flush fitting, inset handle with pull-out ring pull.
- Ideal for use on bi-folding doors, cupboards, kitchen cabinet doors, wardrobes and trapdoors and sliding doors.
- The ring sits flush within the rectangular backplate when not in use. It can then be pulled out from the plate to allow you to open your door.
- This item has to be morticed (cut) into the door to allow it to fit flush.
- Available in two sizes
- Polished chrome plated - shiny mirror like finish.

Size Details



Item Code	Height (A)	Width (B)	Depth	Backplate Thickness
20785.1	50mm	39mm	13mm	3mm
20785.2	64mm	51mm	13mm	3mm

Base Material

- Made from solid brass.

Finish Details

- Polished Chrome - A highly shiny, smooth, mirror like finish with a very slight blue tint.
- The solid brass base material has been highly polished and then chrome plated to produce this finish.
- For more information and how to care for this finish please see our [guide to product finishes](#).

Alternative Finishes Available

- Satin chrome
- Antique brass
- Polished brass

Fixings

- This handle is fitted via 4 x countersunk wood screws through the face of the backplate.
- Matching screws are supplied with this item.

Usage

- Suitable for internal or external use.

[external](#) use.

- To fit this handle completely flush a minimum door thickness of 18mm is required.

Unit Of Sale

- This item is sold individually - (Each)

Products in this set



20785.1 - Flush Fitting Rectangular Ring Pull - Polished Chrome - 50mm x 39mm - Each



20785.2 - Flush Fitting Rectangular Ring Pull - Polished Chrome - 64mm x 51mm - Each