

---

## Fixed Quadrant Arm Stays For Fanlight Windows - Polished Chrome

### Product Images

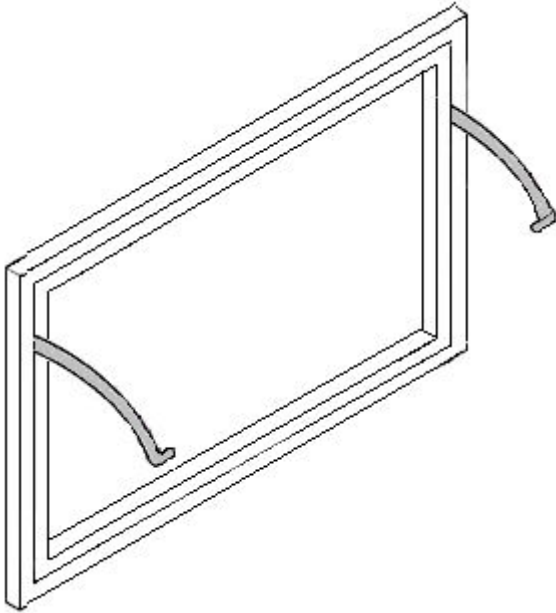
---



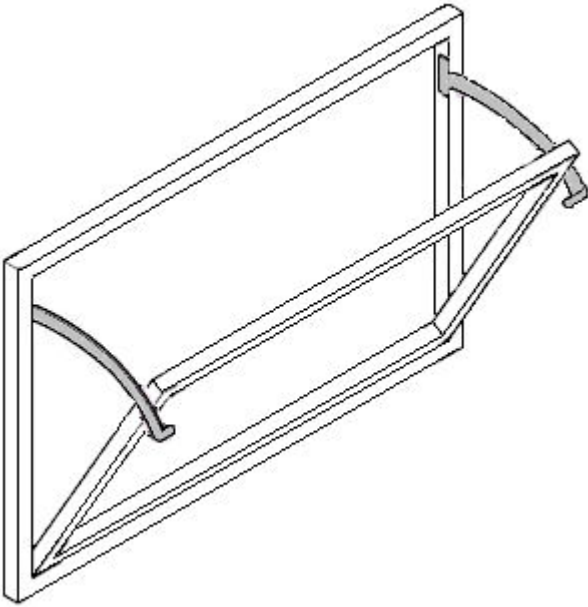
### Description

---

- Fixed quadrant arm stays for fanlight windows
- The quadrant arms are fixed in position so when the fanlight is closed the stays will remain in position projecting from the window - SEE BELOW DIAGRAM



- When the fanlight window is in the open position it rests on the quadrant stays and restricts the window from opening too far - SEE BELOW DIAGRAM



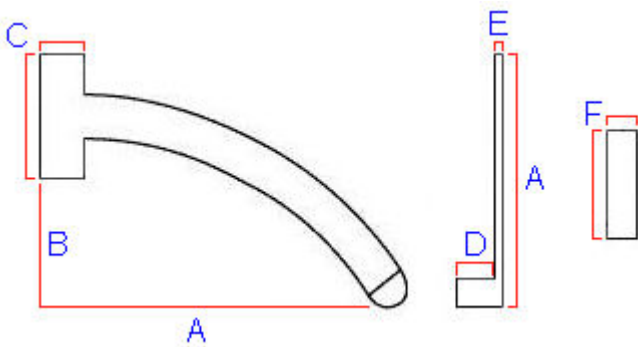
**Finish**

- Polished chrome

**Dimensions**

Available in two lengths

- 21270.1 - 152mm
- 21270.2 - 203mm



21270.1

21270.2

**Dimension On Diagram**

<b>Length Of Quadrant Stay</b>	152mm	204mm	A
<b>Height</b>	40mm	55mm	B
<b>Backplate Size</b>	45mm x 17mm	45mm x 17mm	C
<b>Tag Length</b>	13mm	13mm	D
<b>Thickness</b>	4mm	4mm	E
<b>Strike Plate</b>	36mm x 10mm	36mm x 10mm	F

**Important Info Before You Buy**

- Suitable for use on bottom hinged, opening inward wooden fanlight windows
- Comes supplied with strike plate to help protect fanlight window
- SOLD PER PAIR (2 Quadrant Stays)

**Products in this set**

---



**21270.1 - Fixed Quadrant Arm Stays For Fanlight Windows - Polished Chrome - 152mm - Pair**



**21270.2 - Fixed Quadrant Arm Stays For Fanlight Windows - Polished Chrome - 204mm - Pair**