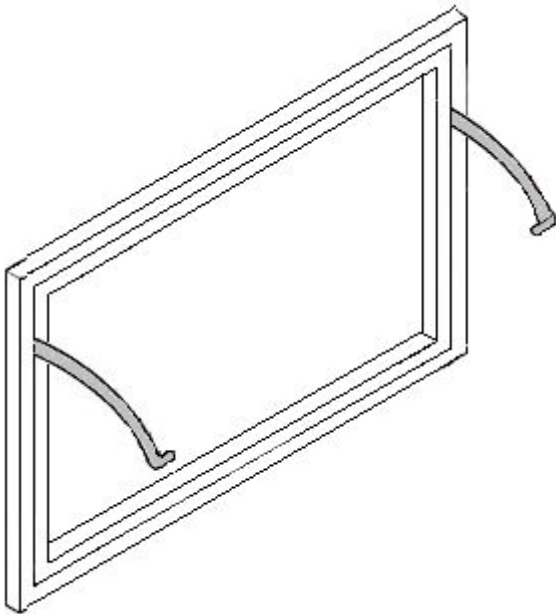

Fixed Quadrant Arm Stays For Fanlight Windows - Polished Brass (Lacquered)

Product Images

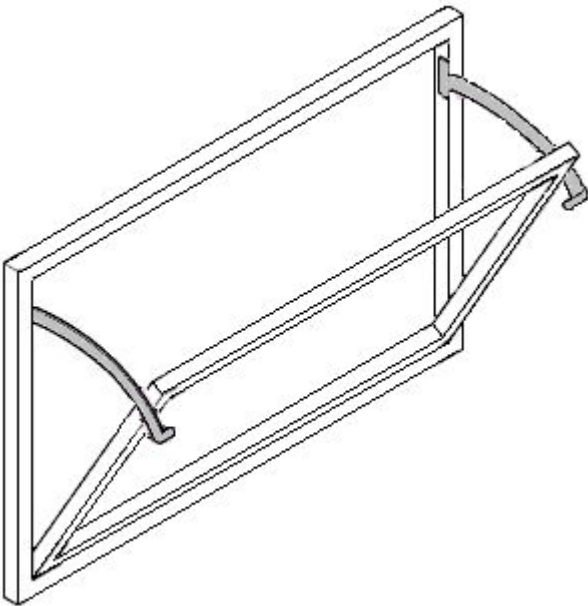


Description

- Fixed quadrant arm stays for fanlight windows
- The quadrant arms are fixed in position so when the fanlight is closed the stays will remain in position projecting from the window - SEE BELOW DIAGRAM



- When the fanlight window is in the open position it rests on the quadrant stays and restricts the window from opening too far - SEE BELOW DIAGRAM



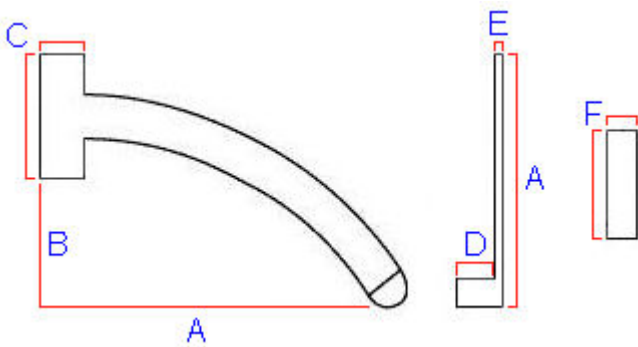
Finish

- Polished brass

Dimensions

Available in two lengths

- 21463.1 - 152mm
- 21463.2 - 203mm



21463.1

21463.2

Dimension On Diagram

Length Of Quadrant Stay	152mm	204mm	A
Height	40mm	55mm	B
Backplate Size	45mm x 17mm	45mm x 17mm	C
Tag Length	13mm	13mm	D
Thickness	4mm	4mm	E
Strike Plate	36mm x 10mm	36mm x 10mm	F

Important Info Before You Buy

- Suitable for use on bottom hinged, opening inward wooden fanlight windows
- Comes supplied with strike plate to help protect fanlight window
- SOLD PER PAIR (2 Quadrant Stays)

Products in this set



21463.1 - Fixed Quadrant Arm Stays For Fanlight Windows - Polished Brass (Lacquered) - 152mm - Pair



21463.2 - Fixed Quadrant Arm Stays For Fanlight Windows - Polished Brass (Lacquered) - 204mm - Pair