
Traditional Design Handrail Bracket - 90mm Projection - Satin chrome

Product Images



Description

- Traditional design handrail bracket.
- Fixings included.
- Suitable for flat based handrails.

Finish

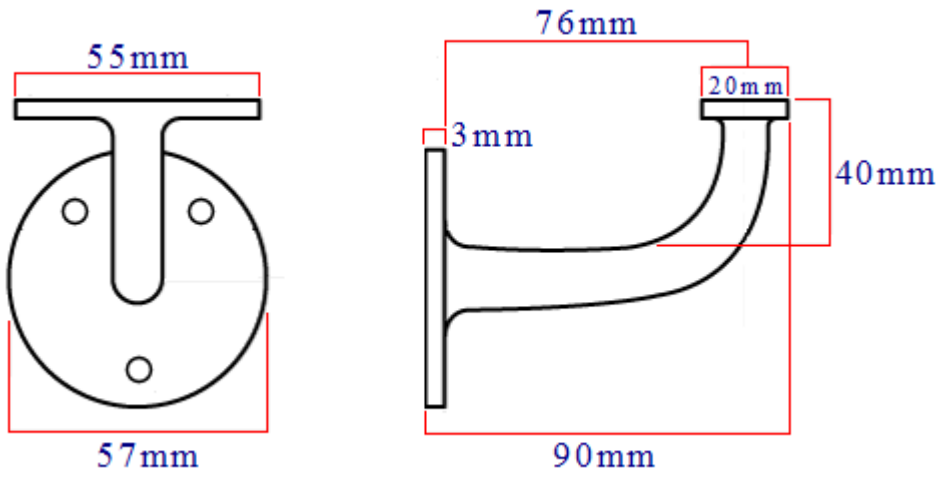
- Satin chrome.

Alternative Finishes Available

- Polished chrome.
- Polished brass.

Dimensions

- Projection - 90mm
- Rose (Backplate) Diameter - 57mm



Products in this set



21518.1 - Traditional Design Handrail Bracket - 90mm Projection - Satin Chrome - Each