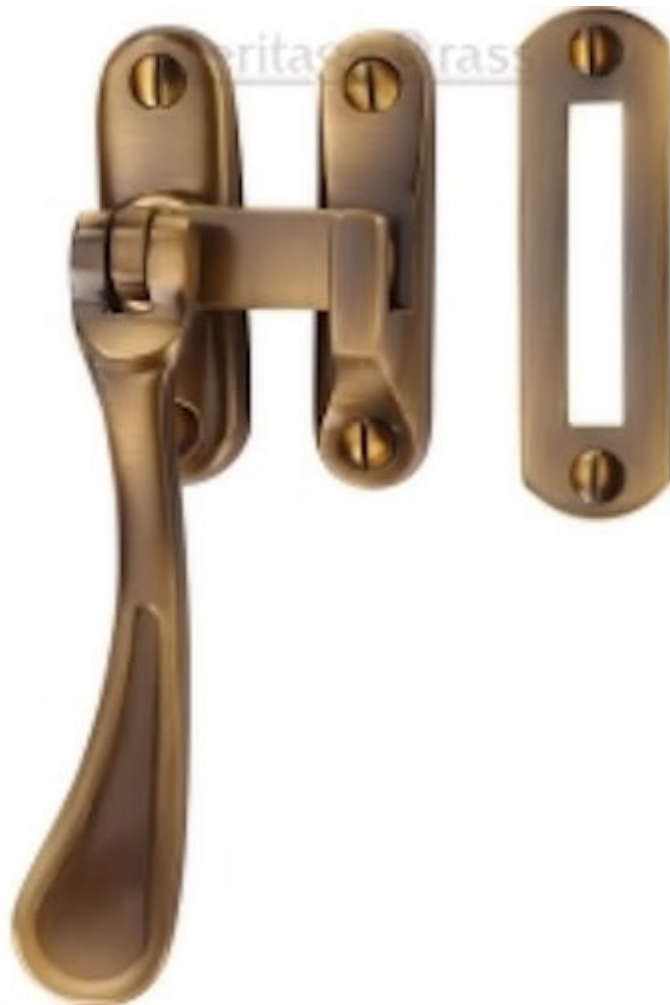

Spoon End Design - Reversible Casement Window Fastener - Antique Brass (Gloss Lacquered)

Product Images



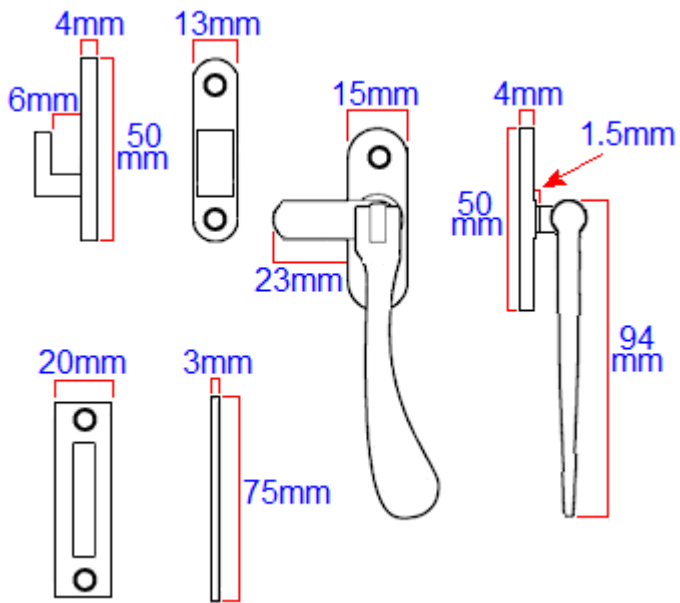
Description

- 21613.1 reversible casement window fastener
- Spoon shape design end
- A casement fastener is fixed on the side of the window and is the handle used to keep the window closed
- This fastener is reversible so can be used on windows hung on the left or right

Finish

- Light Antique Brass

Dimensions



- Back Plate - Height - 50mm x Width 15mm
- Handle Length - 94mm
- Tag Length - 23mm
- Distance Between Back Plate And Back Of Tag (Step Distance) - 1.5mm
- Mortice Plate - Height 75mm x Width 20mm
- Hook Plate - Height 50mm x Width 13mm

Important Info Before You Buy

- Suitable for wooden windows
- Comes supplied with mortice plate and hook plate
- For standard outward opening windows the mortice plate is used
- For double windows or where the frame and window sit flush the hook plate is used
- Comes supplied with fixing screws
- Matching window stay to open and close the window also available

Products in this set



42862.1 - Spoon End Design - Reversible Casement Window Fastener - Antique Brass (Gloss Lacquered)