
Traditional Half Moon Shape Cup Handle - Antique Brass

Product Images

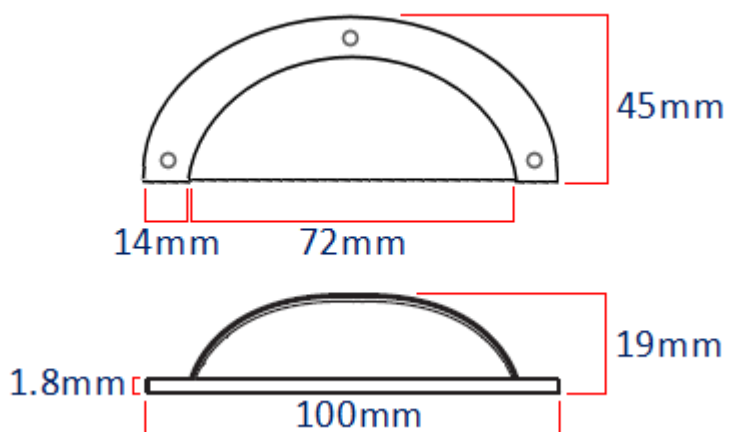




Description

- 21629.1 - a traditional half moon shape cup handle.
- Traditional face fix design via supplied wood screws.
- Made from solid brass, this item has an applied antique finish to give the item an aged tarnished look.
- This popular, classic design handle is suitable for use in traditional areas including, kitchen cabinet doors, wardrobes, cupboard doors and drawers.
- Also suitable for use as a sash handle to lift up a sliding sash window.

Size Details



Item Code	Width	Height	Projection	Material Thickness
21629.1	100mm	45mm	19mm	1.8mm

Base Material

- Made from solid brass.

Finish Details

- Dark Antique Brass - a dark brown colour with golden highlights and visible brush marks in the surface of the item.
- Dark Antique Brass is an applied finish used to give brass items an aged, tarnished look.
- This item has been lacquered to help protect and maintain the antique finish.

Alternative Finishes Available

- Polished brass - (highly polished shiny finish)
- Satin chrome
- Polished chrome

Fixings

- This handle is face fixed to the door, drawer or window via traditional slotted wood screws.
- Come supplied with matching raised head slotted screws.

Usage

- Suitable for internal or external use.

[external](#)use.

Unit Of Sale

- This cabinet handle is sold individually - (Each)

Products in this set



21629.1 - Traditional Half Moon Shape Cup Handle - Antique Brass (Lacquered) - 100mm x 45mm - Each