
Flush Fitting Rectangular Ring Pull - Available In Two Sizes - Antique Brass

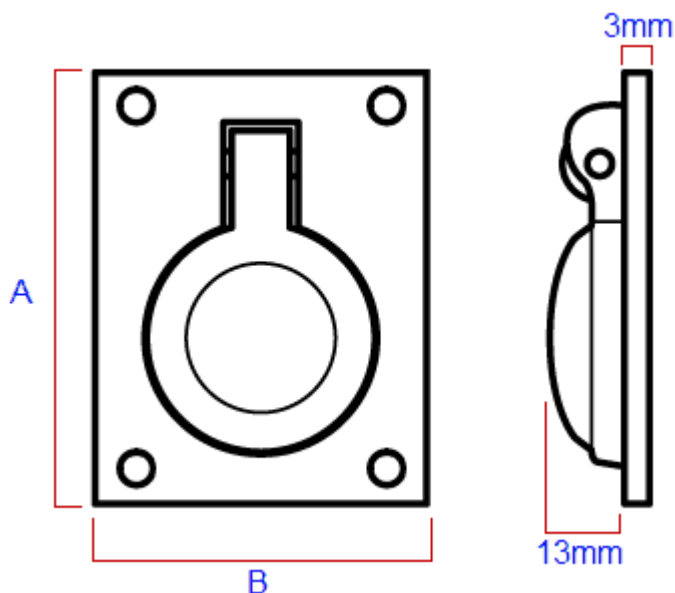
Product Images



Description

- Flush fitting, inset handle with pull out ring pull.
- This item has to be morticed (cut) into the door to allow it to sit fit flush.
- Ideal for use on bi-folding doors, cupboards, kitchen cabinet doors, wardrobes and trapdoors and sliding doors.
- Ring sits flush within the rectangular backplate when not in use. The ring can then be pulled out from the plate to allow you to open your door.
- Available in two sizes
- Dark Antique Brass finish - a dark brown aged, tarnished colour.

Size Details



Item Code	Height (A)	Width (B)	Depth	Backplate Thickness
21632.1	54mm	37mm	13mm	3mm
21632.2	62mm	48mm	14mm	3mm

Base Material

- Made from solid brass.

Finish Details

- Dark Antique Brass - a dark brown colour with golden highlights and visible brush marks in the surface of the item.
- Dark Antique Brass is an applied finish used to give brass items an aged, tarnished look.
- This item has been lacquered to help protect and maintain the antique finish.
- For more information and how to care for this finish please see our [guide to product Finish](#).

Alternative Finishes Available

- Polished brass
- Satin chrome
- Polished chrome

Fixings

- This handle is fitted via 4 x countersunk wood screws through the face of the backplate.
- Matching screws are supplied with this item.

Usage

- Suitable for internal or external use.

external use.

- To fit this handle completely flush a minimum door thickness of 18mm is required.

Unit Of Sale

- This item is sold individually - (Each)

Products in this set



21632.1 - Flush Fitting Rectangular Ring Pull - Antique Brass (Lacquered) - 54mm x 38mm - Each



21632.2 - Flush Fitting Rectangular Ring Pull - Antique Brass (Lacquered) - 67mm x 51mm - Each