
Bulb End Design - Casement Window Stay - Antique Brass (Gloss Lacquered)

Product Images



Description

- Light Antique Brass finish bulb end pattern traditional style casement window stay.
- A casement stay is the handle or arm that fixes to the bottom of the window to help push the window open and pull the window closed.
- The casement arm sits on pins which makes the window "stay" in position when in the open or closed position.

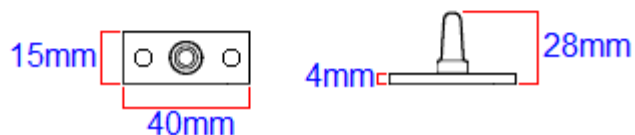
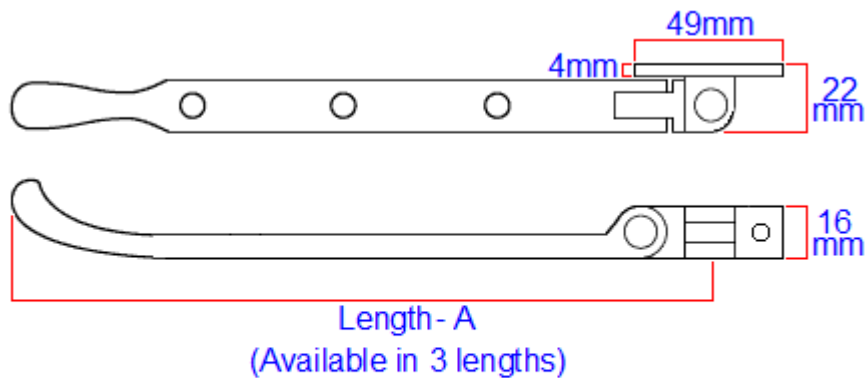
Base Material

- Brass.

Finish

- Light Antique Brass - (dull, tarnished finish).

Dimensions



Available in three lengths - (size **A** on above diagram).

- 202mm - (8 inches)
- 254mm - (10 inches)
- 305mm - (12 inches)

Important Info Before You Buy

- Suitable for use on timber windows.
- Suits standard outward opening casement windows.
- Comes supplied with fixing screws and pins.
- Matching window fastener also available - 21691.1.

Products in this set



21690.1 - Bulb End Pear Drop Design - Casement Window Stay - 202mm - (8 Inches) - Antique Brass (Gloss Lacquered) - Each



21690.2 - Bulb End Pear Drop Design - Casement Window Stay - 254mm - (10 Inches) - Antique Brass (Gloss Lacquered) - Each



21690.3 - Bulb End Pear Drop Design - Casement Window Stay - 306mm - (12 Inches) - Antique Brass (Gloss Lacquered) - Each