

---

## Julietta Modern Tapered Design Window Stays - Polished Brass (Lacquered)

### Product Images

---



### Description

---

- Solid brass modern style casement window stays.
- Heavyweight architectural quality.
- Tapered design window handle.
- A casement stay is the handle or "arm" that fixes to the bottom of the window to help push the window open and pull the window closed.
- The casement arm sits on pins this makes the window "stay" in position when in the open or closed position.

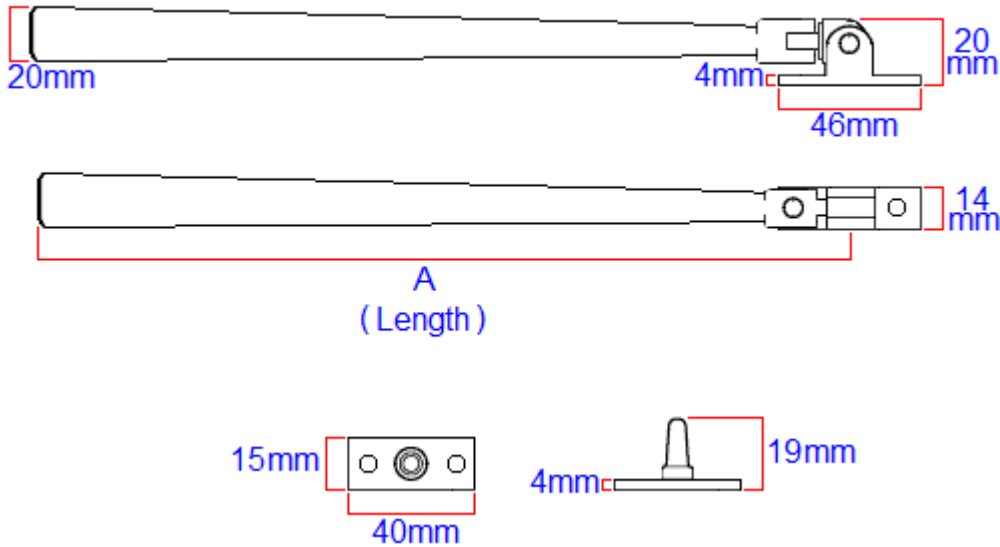
### Base Material

- Solid brass.

### Finish

- Polished - (shiny finish).

### Dimensions



Available in one length only - (Size **A** On The Above Diagram).

- 254mm - (10 inches) - 21727.1

### Important Info Before You Buy

- Suitable for wooden windows.
- Suits standard outward opening casement windows.
- Comes supplied with fixing screws and two standard pins.
- Matching window fastener to keep the window closed available - 21726.1

### Products in this set



21727.1 - Julietta Modern Tapered Design Window Stay - 254mm - Polished Brass (Lacquered)